

Service Manual / Manuel de Service

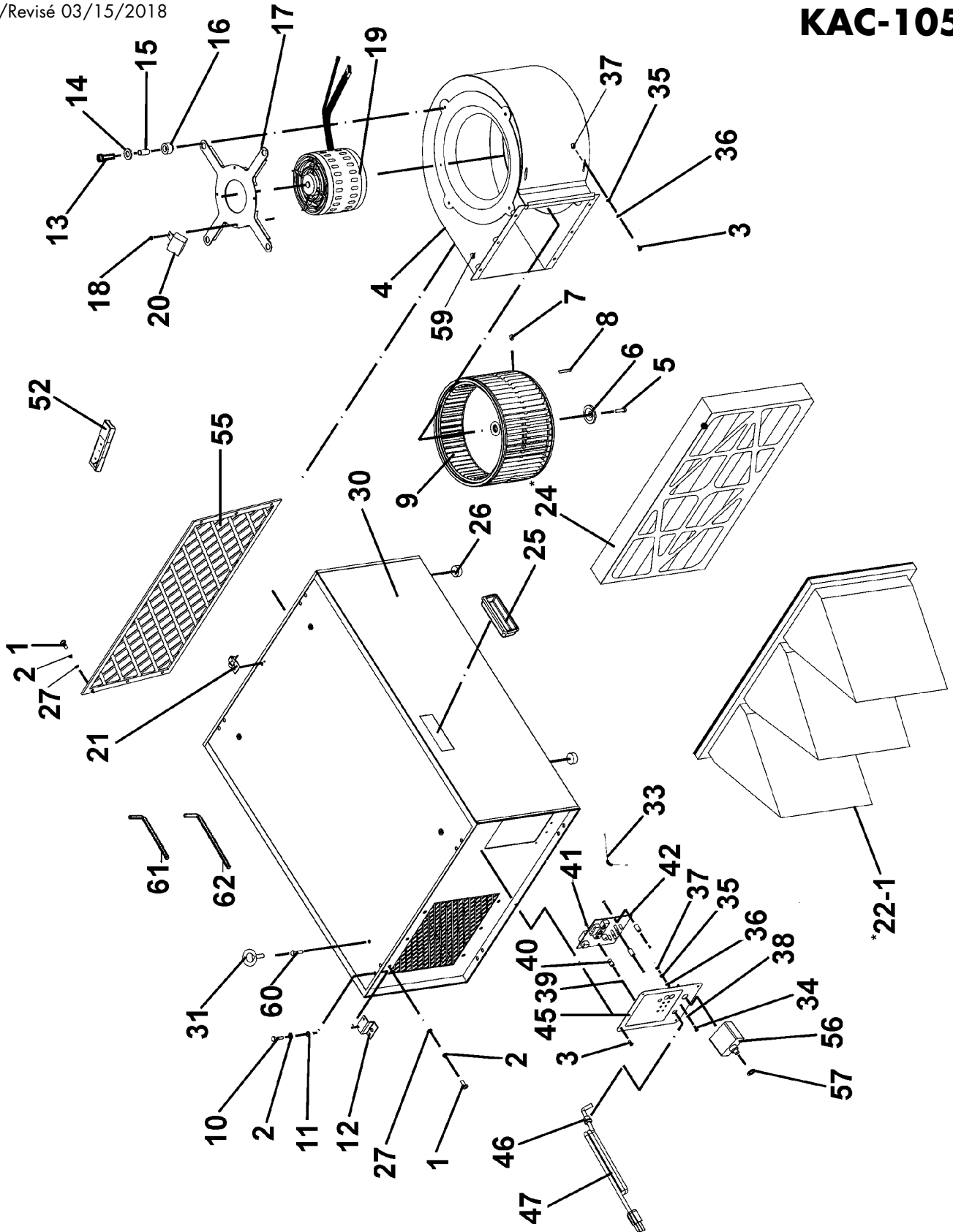


High-Output 3 Speed Air Cleaner with Remote Control Épurateur D'Air 3 Vitesses à Haut Rendement avec Télécommande



Revised/Revisé 03/15/2018

KAC-1050





Parts Pricing List / Liste de Prix des Pièces KAC-1050

Diag.	Order # Com.	English Description	Description Française	Qty./Qté.	Price/Prix
1	68-10500010	PAN HD SCREW	VIS A TETE BOMBEE	12	\$2.69
2	68-10500020	SPRING WASHER	RONDELLE A RESSORT	20	\$2.50
3	68-10500030	PAN HD SCREW	VIS A TETE BOMBEE	6	\$2.50
4	68-10500040	FAN HOUSING	BOITIER DU VENTILATEUR	1	\$175.62
5	68-10500050	CAP SCREW (COUNTERCLOCKWISE)	BOULON A TETE CYLINDR. (SPEC)	1	\$4.32
6	68-10500060	WASHER (SPECIAL)	RONDELLE	1	\$2.59
7	68-10500070	SET SCREW	VIS SANS TETE	1	\$3.06
8	68-10500080	KEY	CLE DE RETENUE	1	\$2.96
9	68-10500090	FAN	VENTILATEUR	1	\$102.41
10	68-10500100	HEX. BOLT	BOULON HEXAGONAL	8	\$2.59
11	68-10500110	WASHER	RONDELLE	8	\$2.50
12	68-10500120	MOUNTING BRACKET	SUPPORT DE MONTAGE	4	\$7.13
13	68-10500130	CAP SCREW	BOULON A TETE CYLINDRQUE	4	\$4.45
14	68-10500140	WASHER	RONDELLE	5	\$2.59
15	68-10500150	SLEEVE	MANCHON	4	\$7.25
16	68-10500160	RUBBER SPACER	ESPACEUR EN CAOUTCHOU	4	\$7.25
17	68-10500170	FLANGE	BRIDE	1	\$5.78
18	68-10500180	FLANGE HD HEX. NUT	ECROU HEXAGONAL A TETE BRIDEE	4	\$2.50
19	68-10500190	MOTOR	MOTEUR	1	\$190.26
20	68-10500200	CAPACITOR	CONDENSATEUR	1	\$25.84
21	68-10500210	FILTER RETAINING LATCH ASS'Y	ATTACHE DE RETENUE ASS	2	\$7.13
22-1	KW-142	1 MICRON INNER FILTER ASS'Y	FILTRE INTERIEUR 1 MICRON ASS	1	-
24	KW-141	5 MICRON OUTER FILTER	FILTRE EXTERIEUR 5 MICRON	1	-
25	68-10500250	HANDLE	POIGNEE	2	\$8.77
26	68-10500260	RUBBER FOOT	PIED EN CAOUTCHOU	4	\$8.04
27	68-10500270	WASHER	RONDELLE	12	\$2.50
30	68-10500300	HOUSING	BOITIER	1	\$248.82
31	68-10500310	EYE BOLT	BOULON EN "O"	4	\$7.25
33	68-10500330	MOTOR WIRING HARNESS	HARNAIS ELECTRIQUE DU MOTEUR	1	\$29.21
34	68-10500340	PAN HD SCREW	VIS A TETE BOMBEE	3	\$2.69
35	68-10500350	WASHER	RONDELLE	5	\$2.50
36	68-10500360	SPRING WASHER	RONDELLE A RESSORT	5	\$2.50
37	68-10500370	HEX. NUT	ECROU HEXAGONAL	5	\$2.59
38	68-10500380	TOOTH WASHER	RONDELLE DENTELEE	6	\$2.69
39	68-10500390	COUNTERSUNK HD SCREW	VIS A TETE FAISEE	3	\$2.69
40	68-10500400	SPACER (SPECIAL)	ESPACEUR (SPECIAL)	3	\$7.25
41	68-10500410	PAN HD SCREW	VIS A TETE BOMBEE	3	\$2.31
42	68-10500420	PC BOARD	PANNEAU ELECTRIQUE	1	\$146.34
45	68-10500450	CONTROL PANEL	PANNEAU DE COMMANDE	1	\$29.21
46	68-10500460	STRAIN RELIEF	ATTACH CORDON	1	\$7.25
47	68-10500470	POWER CORD	CORDON D'ALIMENTATION	1	\$18.23
52	68-10500520	REMOTE	TELECOMMANDE	1	\$55.09
55	68-10500550	PROTECTIVE MESHING	GRILLAGE DE PROTECTION	1	\$29.43
56	68-10500560	RESET	DISJONCTEUR	1	\$29.21
57	68-10500570	SPECIAL WASHER	RONDELLE SPECIALE	1	\$2.59
59	68-10500590	SMALL RIVET NUT	PETIT ECROU	6	\$2.59
60	68-10500600	PAN HD SCREW	VIS A TETE BOMBEE	4	\$3.24

Pricing subject to change without prior notice. / Prix sujet à changement sans préavis.



® Parts Pricing List / Liste de Prix des Pièces **KAC-1050**

Diag.	Order # Com.	English Description	Description Française	Qty./Qté.	Price/Prix
61	68-10500610	4MM HEX. KEY	CLE HEXAGONAL 4MM	1	\$4.35
62	68-10500620	5MM HEX. KEY	CLE HEXAGONAL 5MM	1	\$4.54
	68-1050MBIL	BILINGUAL MANUAL KAC-1050	MANUEL BILINGUE KAC-1050	1	\$24.17