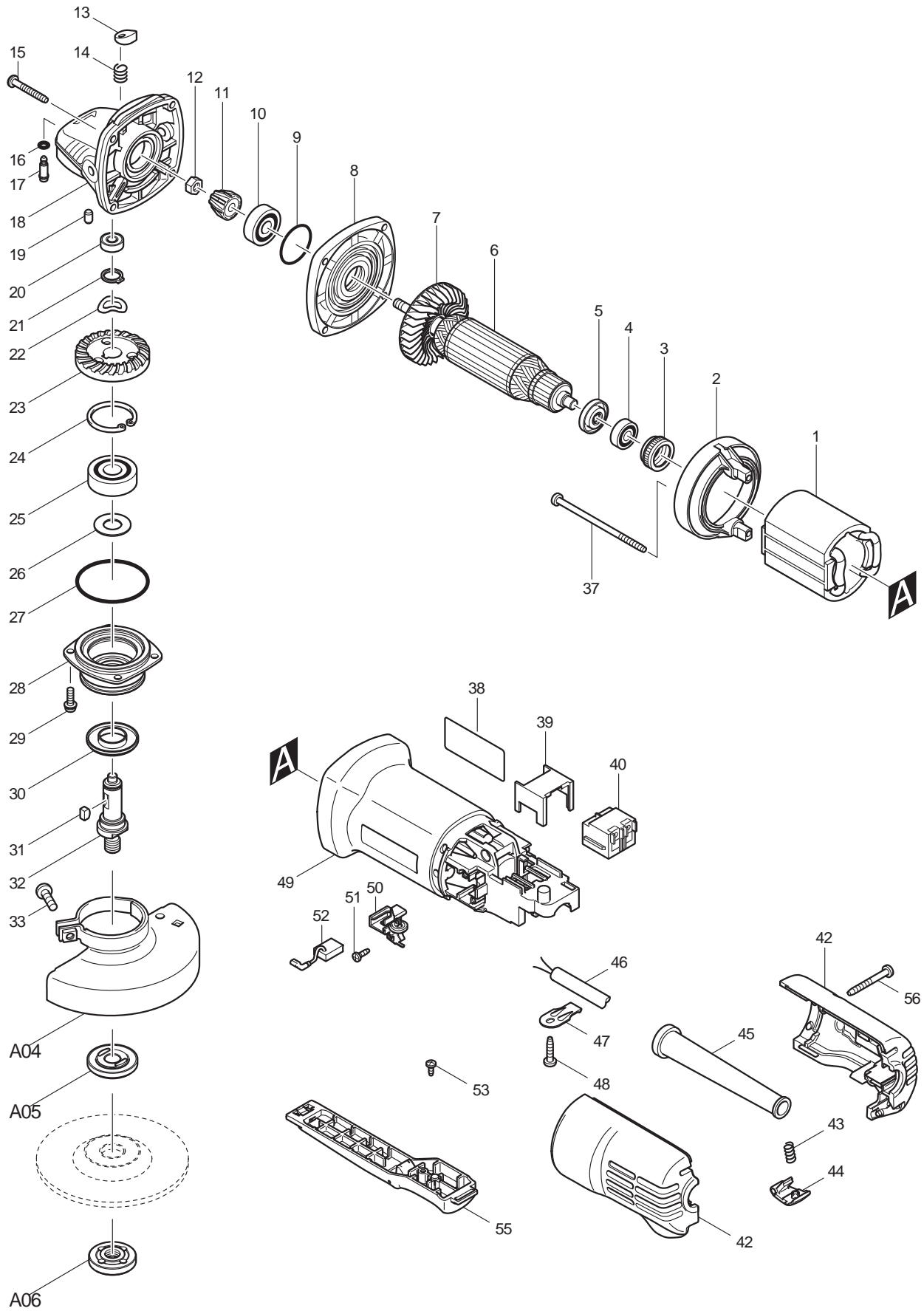




12-2010  
9556PB  
4" DISC GRINDER



Item No	Type	Ref	Part No	SI Description	Qty	Unit
001			621706-3	FIELD 115V	1	PC.
002	2		457791-8	BAFFLE PLATE	1	PC.
003			421868-5	LABYRINTH RUBBER RING 19	1	PC.
004			210034-7	BALL BEARING 607LLB	1	PC.
005	2		681636-0	INSULATION WASHER	1	PC.
006			515611-3	ARMATURE ASS'Y 115V	1	PC.
		INC.		Item No. 457		
007			240076-7	FAN 56	1	PC.
008			317821-6	GEAR HOUSING COVER	1	PC.
009			213445-5	O-RING 26	1	PC.
010	3		210042-8	BALL BEARING 629LLB	1	PC.
011	1		227464-5	SPIRAL BEVEL GEAR 10 (SINTERING)	1	PC.
	2		227541-3	SPIRAL BEVEL GEAR 10 (MACHINED)	1	PC.
012			252186-8	HEX. NUT M6	1	PC.
013			417771-6	PIN CAP	1	PC.
014			233376-2	COMPRESSION SPRING 8	1	PC.
015			266361-0	TAPPING SCREW 4X30	4	PC.
016			213960-9	O RING 5	1	PC.
017			256486-8	SHOULDER PIN 4	1	PC.
018	1		317814-3	GEAR HOUSING	1	PC.
	2		318051-2	GEAR HOUSING	1	PC.
019			263002-9	RUBBER PIN 4	1	PC.
020			210033-9	BALL BEARING 696ZZ	1	PC.
021			961052-5	RETAINING RING S-12	1	PC.
022			267794-2	WAVE WASHER 12	1	PC.
023	2		227505-7	SPIRAL BEVEL GEAR 37 (SINTERING)	1	PC.
	3		227542-1	SPIRAL BEVEL GEAR 37 (MACHINED)	1	PC.
024			962151-6	RETAINING RING R-32	1	PC.
025			211129-9	BALL BEARING 6201DDW	1	PC.
026			267238-2	FLAT WASHER 12	1	PC.
027			213622-9	O RING 45	1	PC.
028	1		317819-3	* BEARING BOX	1	PC.
	2		318331-6	* BEARING BOX	1	PC.
029			265099-4	PAN HEAD SCREW M4X14	4	PC.
030			345464-4	LABYRINTH RING	1	PC.
031			254011-9	WOODRUFF KEY 4	1	PC.
032			324473-6	SPINDLE	1	PC.
033	1		265103-9	* PAN HEAD SCREW M5X14	1	PC.
	2		265180-1	* PAN HEAD SCREW M5X16	1	PC.
037			266345-8	TAPPING SCREW 4X80	2	PC.
038			861340-9	9556PB NAME PLATE	1	PC.
040	2		650579-7	SWITCH 1246.3223, SINGLE, BROWN	1	PC.
042			183943-2	REAR COVER SET	1	PC.
		INC.		Item No. 57		
043			231252-4	COMPRESSION SPRING 6	1	PC.
044			418842-2	LOCK ON BUTTON	1	PC.
045			682559-5	CORD GUARD 8	1	PC.
046			664891-9	CORD WITH PLUG 2P-18-2.5M SJ	1	PC.
047			687169-3	STRAIN RELIEF	1	PC.
048			266326-2	TAPPING SCREW 4X18	1	PC.
049			418838-3	MOTOR HOUSING	1	PC.
050			643760-7	BRUSH HOLDER	2	PC.
051			266007-8	TAPPING SCREW BIND PT 3X10	4	PC.
052	2		195001-2	CARBON BRUSH CB-325 2PC/SET (W/ ORIGIN)	1	SET
053	2		266492-5	TAPPING SCREW 3X8	1	PC.
054			345504-8	PLATE	1	PC.
055			154583-3	SWITCH LEVER A COMPLETE	1	PC.

Item No	Type	Ref	Part No	St Description	Qty	Unit
056	2		266351-3	TAPPING SCREW 4X35	2	PC.
057			183943-2	REAR COVER SET	1	PC.
		INC.		Item No. 42		
<b><u>ACCESSORIES</u></b>						
A01			153489-2	GRIP 36 COMPLETE (Resin Grip)	1	PC.
	Opt.		194514-0	VIBRATION PROOF GRIP F/4" - 6", PKG	1	PC.
A02			782420-7	LOCK NUT WRENCH 20	1	PC.
A03	1		741402-B	4" DEPRESSED CENTER WHEEL A24P	1	PC.
	2		D-20775	4" DEPRESSED CENTER WHEEL A24R-BF	1	PC.
A03	Opt.		-----	DEPRESSED CENTER GRINDING WHEELS		
A04	1		125266-2	WHEEL COVER ASSY F/ 4" D.C.W	1	PC.
		INC.		Item No. 33		
	3		125885-4	* WHEEL COVER ASSY F/ 4" D.C.W	1	PC.
		INC.		* Item No. 33		
		INC.	213009-5	* O RING 4 (Added)	1	PC.
A05			224377-1	INNER FLANGE 35	1	PC.
A06			224573-1	LOCK NUT 10-35	1	PC.
A07			224501-6	SANDING LOCK NUT M10-1.25	1	PC.
A08	2		743009-6	RUBBER PAD F/4"	1	PC.
A09			824736-5	PLASTIC CARRYING CASE	1	PC.
A09			182875-0	STEEL CARRYING CASE	1	PC.
		INC.	182935-8	SLIDE LATCH R&L SET	1	SET
A10			192475-8	DUST EXTRACTOR ATTACHMENT	1	PC.
A11	1		192626-3	* CUT-OFF WHEEL GUARD F/4"	1	PC.
	2		122909-7	* CUT-OFF WHEEL GUARD F/4"	1	PC.

**SERVICE CHANGES**

**1. Changes on Wheel Cover Assembly etc.**

(TI#90644)

(TI#B2426)

Item No.	Description	Type 1	Type 2	Type 3
28	Bearing		317819-3	318331-6
33	Pan Head Screw		265103-9	265180-1
A04	Wheel Cover Ass'Y	125266-2	135476-3	125885-4
INC.	O Ring 4			213009-5
A11 Opt.	Cut-Off Wheel Guard F/4"		192626-3	122909-7

Type 2 > Type 3: Above all parts are completely interchangeable as a set  
 Item no.33 is a component of A04

**Wheel Cover Ass'Y**

