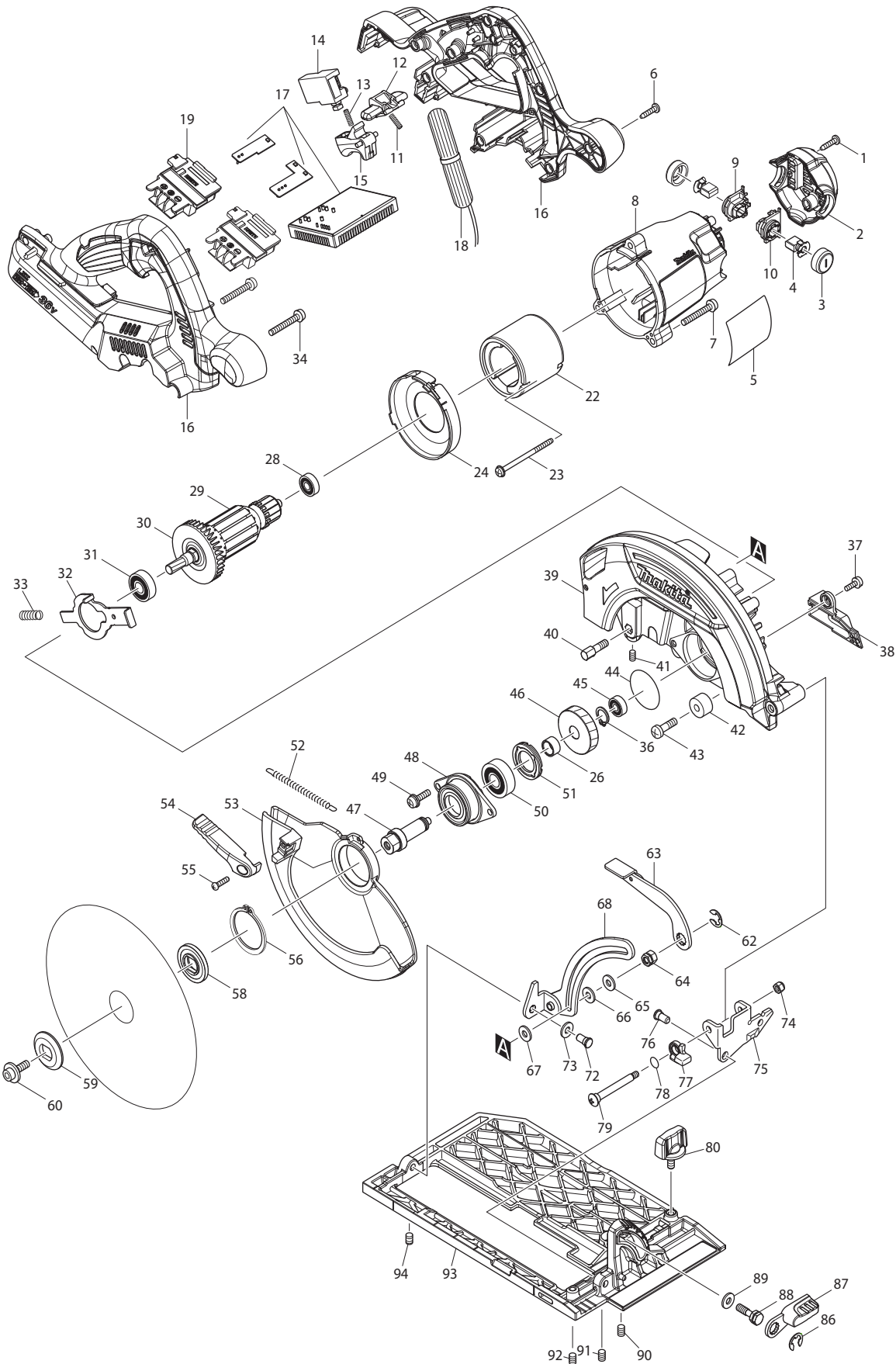




11 - 2013  
DHS711PF2, DHS711Z  
18V x 2 7-1/4" CIRCULAR SAW



Item No	Type	Part No	Description	Qty	Unit
1		266326-2	TAPPING SCREW 4X18	2	PC.
2		454697-1	REAR COVER	1	PC.
3		643829-7	HOLDER CAP	2	PC.
4		195023-2	CARBON BRUSH CB-442 2PC/SET (W/ ORIGIN)	1	SET
5		814Y60-4	DHS711 NAME PLATE	1	PC.
6		266326-2	TAPPING SCREW 4X18	9	PC.
7		911258-5	PAN HEAD SCREW M5X35	3	PC.
8		454693-9	MOTOR HOUSING	1	PC.
9		644505-6	BRUSH HOLDER	1	PC.
10		644506-4	BRUSH HOLDER	1	PC.
11		231469-9	COMPRESSION SPRING 4	1	PC.
12		419664-3	LOCK OFF LEVER	1	PC.
13		231469-9	COMPRESSION SPRING 4	1	PC.
14		650730-9	SWITCH TG72BD-6	1	PC.
15		419665-1	SWITCH LEVER	1	PC.
16		187770-9	HANDLE SET	1	SET
	INC.	263005-3	RUBBER PIN 6	4	PC.
	INC.	802G91-7	CAUTION LABEL	1	PC.
	INC.	802G93-3	INDICATION LABEL	1	PC.
17		620254-9	CONTROLLER	1	PC.
18		632B66-0	LEAD UNIT	1	PC.
19		643899-6	TERMINAL	2	PC.
22		638571-3	YOKE UNIT	1	PC.
23		266292-3	TAPPING SCREW 4X65	2	PC.
24		454696-3	BAFFLE PLATE	1	PC.
26		257349-1	SLEEVE 12	1	PC.
28		210017-7	BALL BEARING 607DDW	1	PC.
29		519332-9	ARMATURE ASS'Y 36V	1	PC.
	INC.		Item. 28,30,31		
30		240045-8	FAN 55	1	PC.
31		210059-1	BALL BEARING 6000DDW	1	PC.
32		344681-3	SHAFT LOCK	1	PC.
33		233117-6	COMPRESSION SPRING 6	1	PC.
34		911258-5	PAN HEAD SCREW M5X35	2	PC.
36		961052-5	RETAINING RING S-12	1	PC.
37		911223-4	PAN HEAD SCREW M5X16	1	PC.
38		453285-1	DUCT	1	PC.
39		142365-5	BLADE CASE COMPLETE	1	PC.
	INC.	213434-0	O RING 26	1	PC.
40		265594-4	HEX.BOLT M6X18	1	PC.
41		266229-0	H.S.SET SCREW(CUP POINT)M5X8	1	PC.
42		262552-1	RUBBER SLEEVE 6	1	PC.
43		251247-1	+ PAN HEAD SCREW M6X20	1	PC.
44		213512-6	O RING 39	1	PC.
45		210028-2	BALL BEARING 606ZZ	1	PC.
46		227786-3	HELICAL GEAR 49	1	PC.
47		326357-4	SPINDLE	1	PC.
48		319088-2	BEARING BOX	1	PC.
49		911233-1	PAN HEAD SCREW M5X20	2	PC.
50		211129-9	BALL BEARING 6201DDW	1	PC.
51		285852-2	BEARING RETAINER 19-33	1	PC.
52		231877-4	TENSION SPRING 4	1	PC.
53		319072-7	SAFETY COVER	1	PC.

Item No	Type	Part No	Description	Qty	Unit
54		272252-5	LEVER 65	1	PC.
55		265178-8	PAN HEAD SCREW M4X16	1	PC.
56		961155-5	RETAINING RING S-38	1	PC.
58		224411-7	INNER FLANGE 35	1	PC.
59		224409-4	OUTER FLANGE 35	1	PC.
60	1	266308-4	* HEX. SOCKET HEAD BOLT M6X20	1	PC.
	2	266925-0	* HEX. SOCKET HEAD BOLT M6X18	1	PC.
62		257982-9	BOW STOP RING E-8	1	PC.
63		272279-5	LEVER PLATE	1	PC.
64		264096-7	HEX. NUT M6	1	PC.
65		267100-1	FLAT WASHER 6	1	PC.
66		267100-1	FLAT WASHER 6	1	PC.
67		267100-1	FLAT WASHER 6	1	PC.
68		142268-3	DEPTH GUIDE COMPLETE	1	PC.
72		256480-0	SHOULDER PIN 6-7	1	PC.
73		253133-2	FLAT WASHER 7	1	PC.
74		252103-8	HEX. LOCK NUT M5-8	1	PC.
75		345590-9	ANGULAR GUIDE	1	PC.
76		256480-0	SHOULDER PIN 6-7	1	PC.
77		318823-5	STOPPER	1	PC.
78	1	213062-1	O RING 9	1	PC.
	2	213977-2	O RING 7	1	PC.
79		266734-7	+ TRUSS HEAD SCREW M5	1	PC.
80		265798-8	THUMB SCREW M6X14	1	PC.
86		257982-9	BOW STOP RING E-8	1	PC.
87		272272-9	LEVER 45	1	PC.
88		266735-5	HEX.BOLT M6X20	1	PC.
89		941151-9	FLAT WASHER 6	1	PC.
90		266208-8	H.S.SET SCREW(CUP POINT)M6X8	1	PC.
91		266208-8	H.S.SET SCREW(CUP POINT)M6X8	1	PC.
92		266208-8	H.S.SET SCREW(CUP POINT)M6X8	1	PC.
93		142367-1	BASE COMPLETE	1	PC.
94		266208-8	H.S.SET SCREW(CUP POINT)M6X8	1	PC.
D01		654510-5	INSULATED CONNECTOR 5.5-SD	1	PC.
C01	1	875191-4	CARTON F/DHS711Z	1	PC.
	2	876767-0	CARTON F/DHS711Z	1	PC.

### **ACCESSORIES**

- See Catalogue or visit [www.makita.ca](http://www.makita.ca) for more accessories -

A01		164095-8	GUIDE RULE (RIP FENCE)	1	PC.
A02		783217-7	HEX. WRENCH 5	1	PC.
A03		A-94530	7-1/4" BLADE 24T 5/8"	1	PC.
A04		196843-7	DUST NOZZLE SET	1	PC.
A05		A-94530-10	7-1/4" BLADE 24T 5/8" 10PK	1	SET
A06		A-94839-10	7-1/4" BLADE 24T 5/8" 10PK	1	SET
A07		D-35352-10	7-1/4" CT BLADE 24T 5/8" 10BX	1	SET
A11		831278-2	LXT TOOL BAG, BLUE	1	PC.
		821010-X	TOOL BAG 14"	1	PC.

Item No	Type	Part No	Description	Qty	Unit
A12		MK403-M	CONSTRUCTION WORK GLOVES M	1	PC.
		MK403-L	CONSTRUCTION WORK GLOVES L	1	PC.
		MK403-XL	CONSTRUCTION WORK GLOVES XL	1	PC.
		MK404-M	IMPACT WORK GLOVES M	1	PC.
		MK404-L	IMPACT WORK GLOVES L	1	PC.
		MK404-XL	IMPACT WORK GLOVES XL	1	PC.
		MK405-M	DEMOLITION WORK GLOVES M	1	PC.
		MK405-L	DEMOLITION WORK GLOVES L	1	PC.
		MK405-XL	DEMOLITION WORK GLOVES XL	1	PC.
	A13	-----		<a href="#">18V LI-ION BATTERY</a>	
A14	-----		<a href="#">BATTERY CHARGER</a>		
A15	-----		<a href="#">LI-ION BATTERY ACCESSORIES</a>		
		DC18RD	CHARGER DC18RD	1	PC.
		194205-3	18V LI-ION BATTERY BL1830	1	PC.
		450128-8	BATTERY COVER	1	PC.

**SERVICE CHANGES**

**1. Changes on Hex. Socket Head Bolt for Fixing Blades**

(TI# A6270)

Item No.	Description	Type 1	Type 2
60	Hex. Socket Head Bolt M6X20 > M6X18	266308-4	266925-0

**Type 1**

**Type 2**

