

# Service Manual / Manuel de Service



## 14" Wood Bandsaw with Resaw Guide

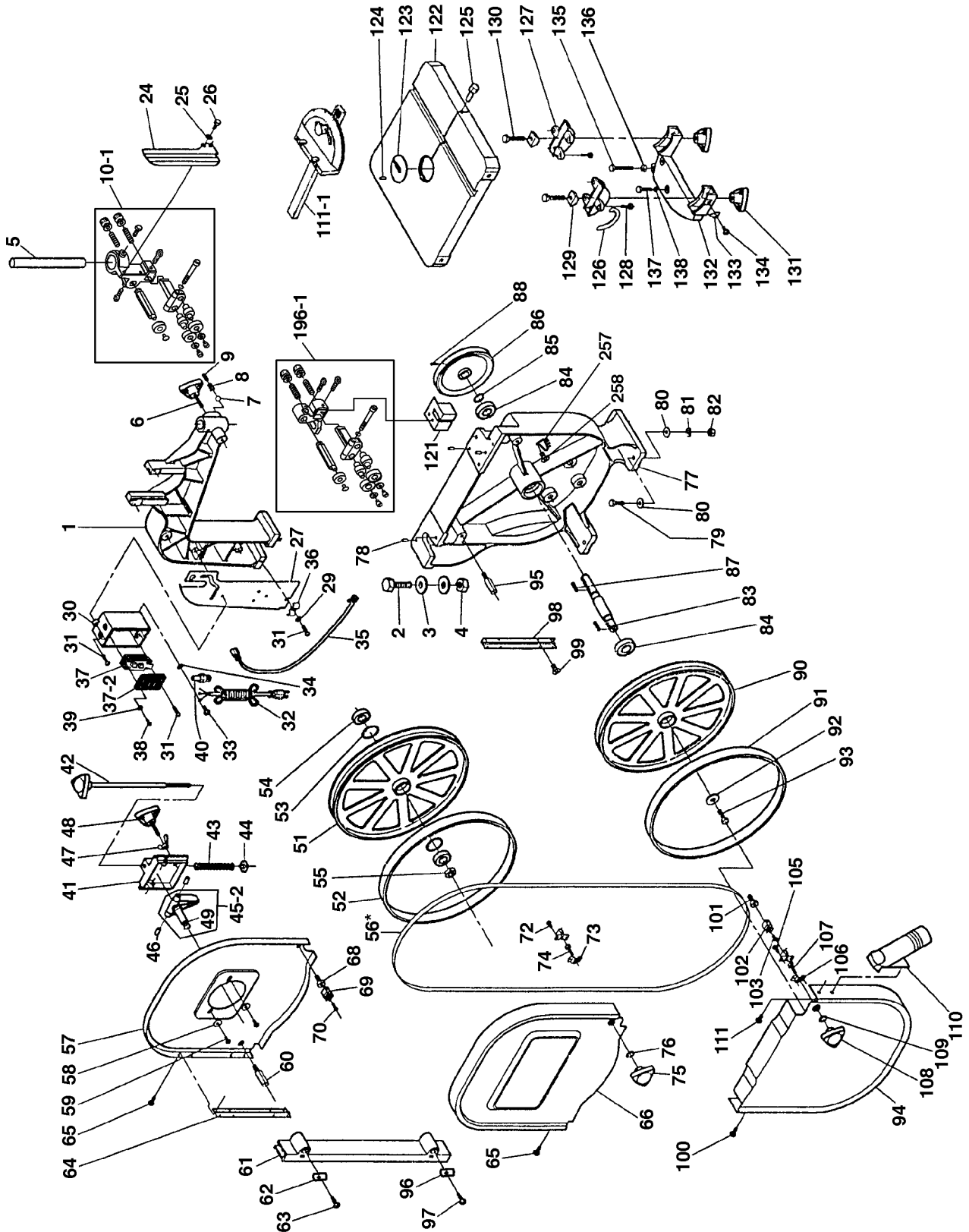
### Scie à Ruban de 14" pour le Bois avec Guide à Dédoublage



Revised/Revisé 03/15/2018

#### Main Diagram / Diagramme Principale

# KC-1433FXR



# Service Manual / Manuel de Service

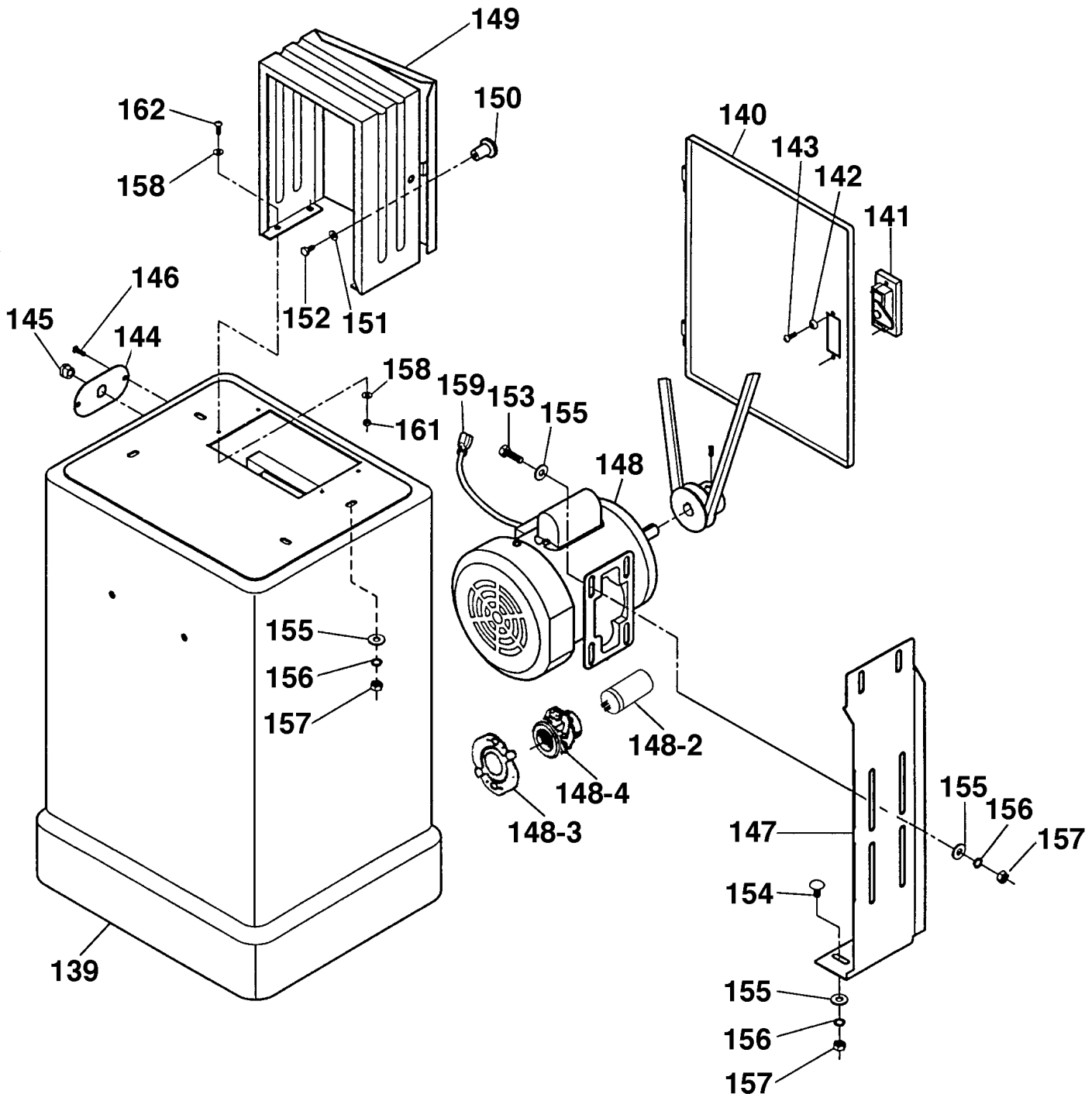
## 14" Wood Bandsaw with Resaw Guide

### Scie à Ruban de 14" pour le Bois avec Guide à Dédoublage



#### Base & Motor Diagram / Diagramme de la Base et du Moteur

# KC-1433FXR





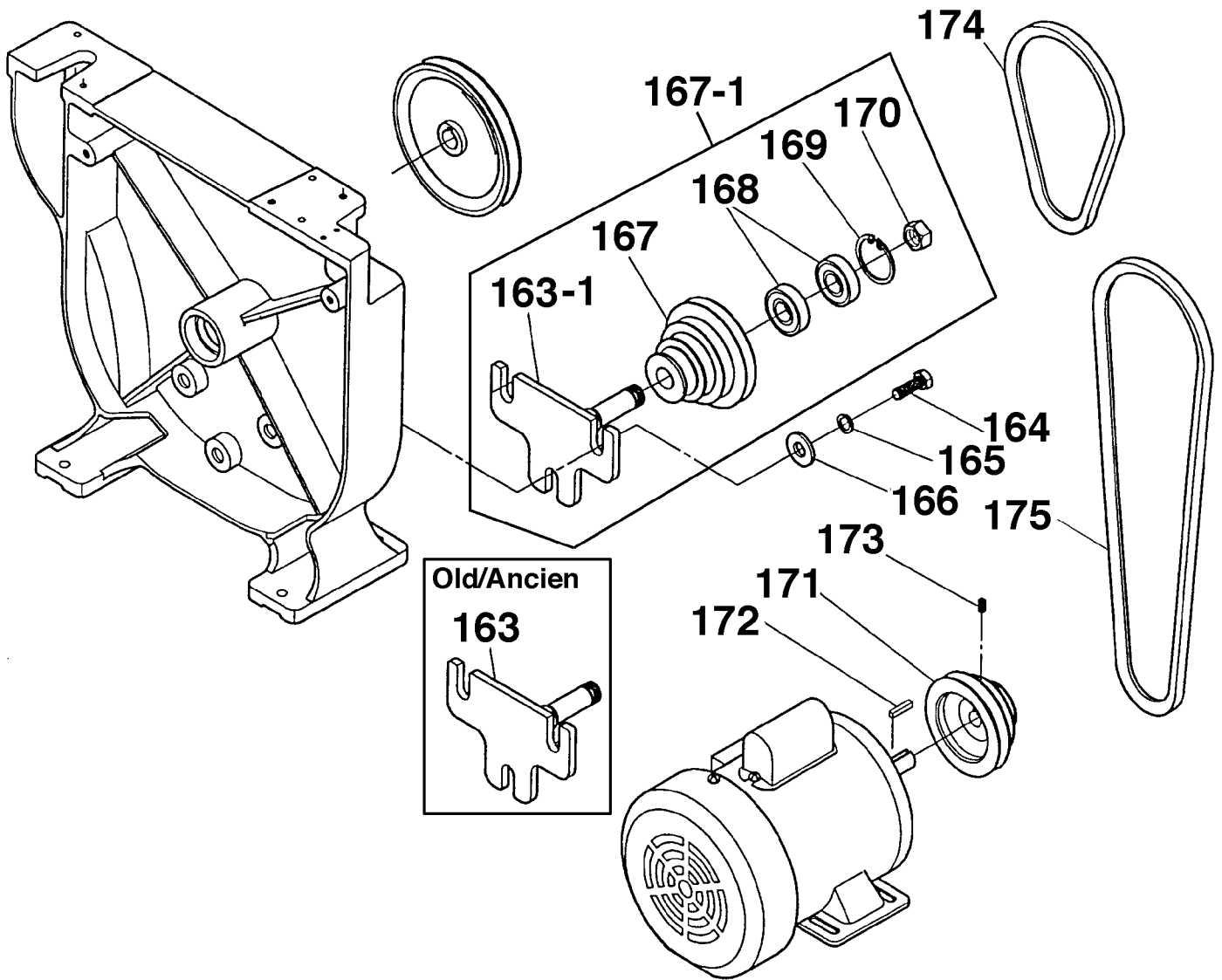
# Service Manual / Manuel de Service

## 14" Wood Bandsaw with Resaw Guide

### Scie à Ruban de 14" pour le Bois avec Guide à Dédoublage



#### Pulley Diagram / Diagramme des Poulies **KC-1433FXR**



# Service Manual / Manuel de Service

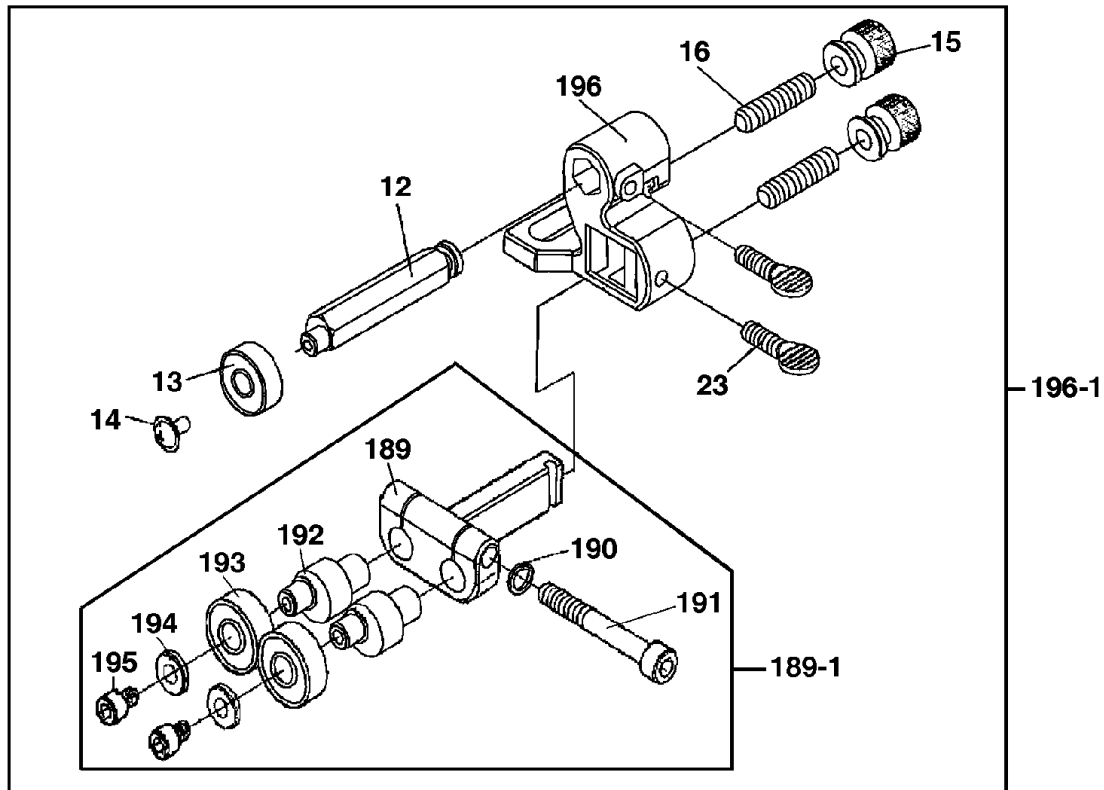
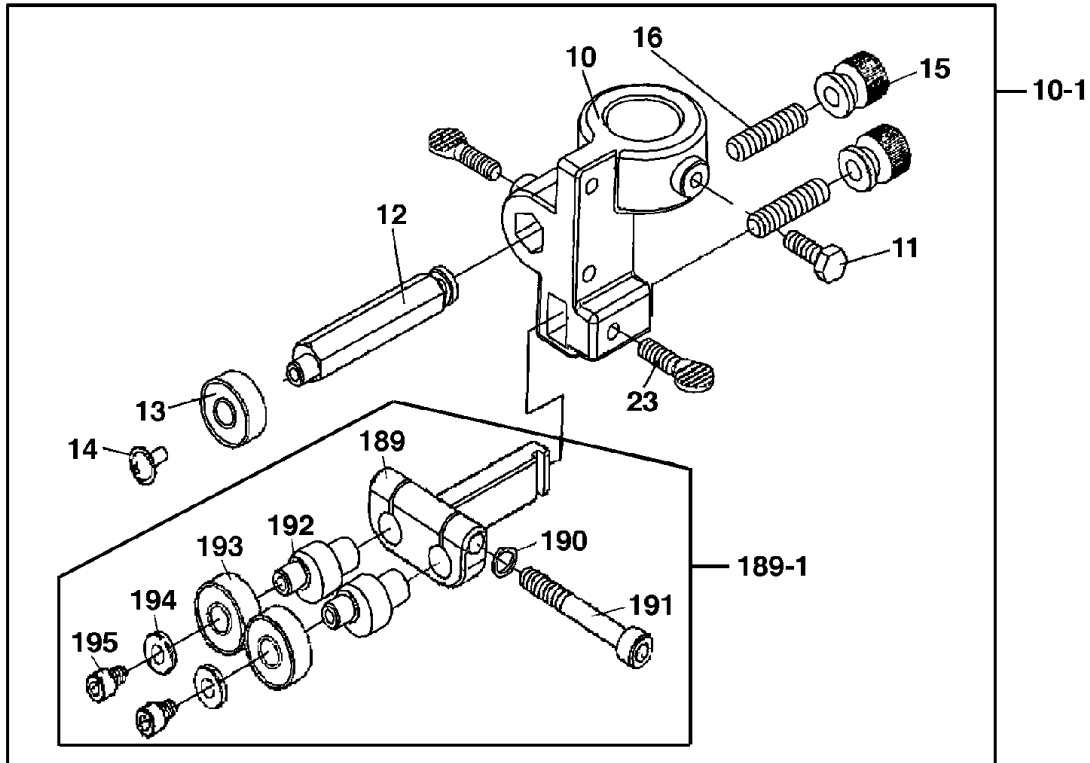
## 14" Wood Bandsaw with Resaw Guide

### Scie à Ruban de 14" pour le Bois avec Guide à Dédoublage



#### Blade Guides Diagram / Diagramme des Guides de Lame

# KC-1433FXR



# Service Manual / Manuel de Service



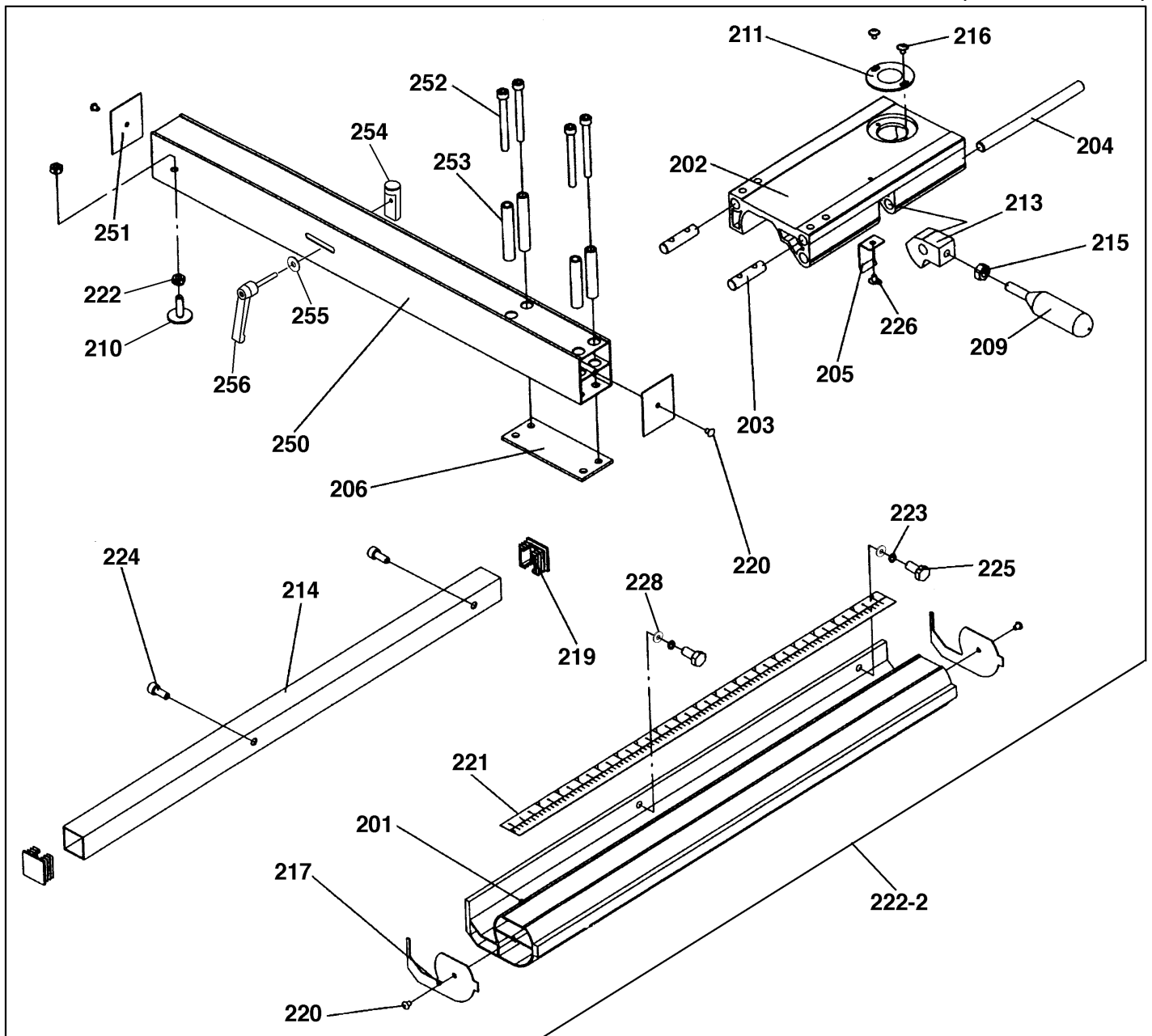
## 14" Wood Bandsaw with Resaw Guide

### Scie à Ruban de 14" pour le Bois avec Guide à Dédoublment

#### Industrial Rip Fence System Diagram / Diagramme du Système de Guide à Refendre Industriel

**KC-1433FXR**

(Acc.# RF-1433R)





## Parts Pricing List / Liste de Prix des Pièces **KC-1433FXR**

Diag.	Order # Com.	English Description	Description Française	Qty./Qté.	Price/Prix
1	13-14330010	UPPER FRAME	BRAS SUPERIEUR	1	\$283.37
2	13-14330020	HEX. BOLT	BOULON HEXAGONAL	1	\$4.91
3	13-14330030	WASHER	RONDELLE	2	\$3.98
4	13-14330040	HEX. NUT	ECROU HEXAGONAL	1	\$3.98
5	13-14330050	GUIDE POST	TIGE DU GUIDE	1	\$36.57
6	13-14330060	LOCK KNOB	BOUTON DE VERROUILLAGE	1	\$7.31
7	13-14330070	STEEL BALL	BILLE EN ACIER	1	\$4.17
8	13-14330080	SPRING	RESSORT	1	\$4.72
9	13-14330090	SET SCREW	VIS SANS TETE	1	\$3.24
10	13-14330100	UPPER BLADE GUIDE BRACKET	SUPPORT DU GUIDE DE LAME (HAUT)	1	\$36.77
10-1	13-14330101	UPPER COMP. BLADE GUIDE BRACKET	SUP. COMP./GUIDE DE LAME (HAUT) ASS.	1	\$214.57
11	13-14330110	HEX. BOLT	BOULON HEXAGONAL	1	\$2.69
12	13-14330120	SPACING SLEEVE	MANCHON D'ESPACEMENT	2	\$17.68
13	13-14330130	BALL BEARING	ROULEMENT A BILLES	2	\$20.28
14	13-14330140	FLANGE HD SCREW	VIS A TETE BRIDEE	2	\$2.42
15	13-14330150	MICRO ADJUSTING NUT	ECROU DE MICRO-AJUSTEMENT	4	\$5.28
16	13-14330160	SPECIAL SET SCREW	VIS SANS TETE SPECIALE	4	\$4.35
23	13-14330230	THUMB SCREW	VIS A PAPILLON	4	\$3.98
24	13-14330240	UPPER BLADE GUARD	PROTECTEUR DE LA LAME (HAUT)	1	\$18.05
25	13-14330250	WASHER	RONDELLE	2	\$2.50
26	13-14330260	HEX. BOLT	BOULON HEXAGONAL	2	\$2.59
27	13-14330270	UPPER FRAME COVER	COUVERCLE DU BRAS SUPERIEUR	1	\$32.69
29	13-14330290	TOOTH WASHER	RONDELLE DENTELEE	1	\$2.79
30	13-14330300	SWITCH BOX	BOITE D'INTERRUPTEUR	1	\$17.31
31	13-14330310	PAN HD SCREW	VIS A TETE BOMBEE	3	\$2.59
32	13-14330320	POWER CORD	CORDON D'ALIMENTATION	1	\$36.95
33	13-14330330	PAN HD SCREW	VIS A TETE BOMBEE	1	\$2.59
34	13-14330340	TOOTH WASHER	RONDELLE DENTELEE	1	\$2.79
35	13-14330350	SWITCH TO MOTOR CORD	CORDON D'INTERRUPTEUR	1	\$25.29
36	13-14330360	CORD CLIP	ATTACHE FIL	1	\$3.61
37	13-14330370	LRG BUT. START-ST. SWITCH	INTERRUPTEUR A BOUTON LARGE	1	\$55.47
37-2	13-14330372	SQ BUT. (LRG) SWITCH COVER	PLAQUE D'INTERR. A BOUT. CAR. (LRG)	1	\$29.54
38	13-14330380	TAPPING SCREW	VIS AUTOTARAUDEUSE	2	\$2.50
39	13-14330390	WASHER	RONDELLE	2	\$2.50
40	13-14330400	STRAIN RELIEF	ATTACHE FIL	2	\$4.17
41	13-14330410	SLIDING BRACKET	SUPPORT COULISSANT	1	\$29.36
42	13-14330420	TENSION HANDLE	POIGNEE DE TENSION	1	\$35.09
43	13-14330430	COIL SPRING	RESSORT A COMPRESSION	1	\$7.88
44	13-14330440	SQUARE NUT	ECROU CARRE	1	\$4.17
45-2	13-14330452	HINGE/SHAFT ASS'Y (UP. WH.)	PENTURE ET TIGE ASS. (ROUE DU HAUT)	1	\$33.98
46	13-14330460	STEEL PIN	GOUPILLE EN ACIER	2	\$4.91
47	13-14330470	WING NUT	ECROU PAPILLON	1	\$4.17
48	13-14330480	ADJUSTING KNOB	BOUTON D'AJUSTEMENT	1	\$10.11
49	13-14330490	UPPER WHEEL SHAFT	TIGE DE LA ROUE	1	\$13.61
51	13-14330510	UPPER WHEEL	ROUE DU HAUT	1	\$162.71
52	13-14330520	WHEEL PROTECTOR	PROTECTEUR DE ROUE	1	\$13.41
53	13-14330530	RETAINING RING/BORE	ANNEAU DE RETENU/ALESAGE	2	\$4.35

Pricing subject to change without prior notice. / Prix sujet à changement sans préavis.



## Parts Pricing List / Liste de Prix des Pièces **KC-1433FXR**

Diag.	Order # Com.	English Description	Description Française	Qty./Qté.	Price/Prix
54	13-14330540	BALL BEARING	ROULEMENT A BILLES	2	\$18.42
55	13-14330550	HEX. NUT	ECROU HEXAGONAL	1	\$4.35
56	KBB-14**	BLADE	LAME	1	-
57	13-14330570	INNER UPPER WHEEL COVER	COUVERCLE DU HAUT INT. POUR ROUE	1	\$92.33
58	13-14330580	WASHER	RONDELLE	2	\$2.50
59	13-14330590	PAN HD SCREW	VIS A TETE BOMBEE	2	\$2.42
60	13-14330600	COVER STUD	ESPACEUR DU COUVERCLE	1	\$7.88
61	13-14330610	BLADE GUARD	PROTECTEUR DE LAME	1	\$20.10
62	13-14330620	RETAINING PLATE	PLAQUE DE RETENUE	1	\$3.43
63	13-14330630	TAPPING SCREW	VIS AUTOTARAUDEUSE	1	\$3.61
64	13-14330640	UPPER COVER HINGE	CHARNIERE DU COUVERCLE (HAUT)	1	\$17.88
65	13-14330650	TAPPING SCREW	VIS AUTOTARAUDEUSE	8	\$3.06
66	13-14330660	OUTER UPPER WHEEL COVER	COUVERCLE DU HAUT EXT. POUR ROUE	1	\$106.21
68	13-14330680	SPECIAL HEX. BOLT	BOULON HEXAGONAL SPECIAL	1	\$16.03
69	13-14330690	LATCH	LOQUET DU COUVERCLE	1	\$8.71
70	13-14330700	PAN HD SCREW	VIS A TETE BOMBEE	1	\$2.50
72	13-14330720	TAPPING SCREW	VIS AUTOTARAUDEUSE	2	\$3.06
73	13-14330730	CLIP BRACKET	SUPPORT DE L'ATTACHE	1	\$4.54
74	13-14330740	HEX. BOLT	BOULON HEXAGONAL	1	\$2.69
75	13-14330750	COVER KNOB	BOUTON DU COUVERCLE	1	\$8.05
76	13-14330760	TOOTH WASHER	RONDELLE DENTELEE	1	\$2.87
77	13-14330770	BASE FRAME	CHASSIS (BAS)	1	\$527.84
78	13-14330780	TAPER PIN	GOUPILLE CONIQUE	4	\$4.35
79	13-14330790	HEX. BOLT	BOULON HEXAGONAL	4	\$3.24
80	13-14330800	WASHER	RONDELLE	8	\$2.59
81	13-14330810	SPRING WASHER	RONDELLE A RESSORT	4	\$2.69
82	13-14330820	HEX. NUT	ECROU HEXAGONAL	4	\$2.59
83	13-14330830	LOWER WHEEL SHAFT	AXE DE LA ROUE DU BAS	1	\$72.13
84	13-14330840	BALL BEARING	ROULEMENT A BILLES	2	\$36.95
85	13-14330850	RETAINING RING/SHAFT	ANNEAU DE RETENU/TIGE	1	\$3.61
86	13-14330860	DRIVE PULLEY	POULIE D'ENTRAINEMENT	1	\$47.88
87	13-14330870	KEY	CLE DE RETENUE	2	\$3.98
88	13-14330880	SET SCREW	VIS SANS TETE	1	\$2.50
90	13-14330900	LOWER WHEEL	ROUE DU BAS	1	\$190.26
91	13-14330910	WHEEL PROTECTOR	PROTECTEUR DE ROUE	1	\$13.41
92	13-14330920	SPECIAL WASHER	RONDELLE SPECIALE	1	\$4.91
93	13-14330930	FLANGE HD BOLT (LEFT THREAD)	BOULON/TETE BRIDEE (FILET GAUCHE)	1	\$5.28
94	13-14330940	OUTER LOWER WHEEL COVER	COUVERCLE DU BAS EXT. POUR ROUE	1	\$101.59
95	13-14330950	COVER STUD	ESPACEUR DU COUVERCLE	1	\$7.88
96	13-14330960	RETAINING PLATE	PLAQUE DE RETENUE	1	\$3.43
97	13-14330970	TAPPING SCREW	VIS AUTOTARAUDEUSE	1	\$3.61
98	13-14330980	LOWER COVER HINGE	CHARNIERE DU COUVERCLE (BAS)	1	\$15.46
99	13-14330990	COUNTERSUNK SCREW	VIS A TETE FRAISEE	4	\$2.50
100	13-14331000	TAPPING SCREW	VIS AUTOTARAUDEUSE	4	\$3.06
101	13-14331010	SPECIAL HEX. BOLT	BOULON HEXAGONAL SPECIAL	1	\$16.03
102	13-14331020	LATCH	LOQUET	1	\$8.71
103	13-14331030	PAN HD SCREW	VIS A TETE BOMBEE	1	\$2.50

Pricing subject to change without prior notice. / Prix sujet à changement sans préavis.



## Parts Pricing List / Liste de Prix des Pièces **KC-1433FXR**

Diag.	Order # Com.	English Description	Description Française	Qty./Qté.	Price/Prix
105	13-14331050	TAPPING SCREW	VIS AUTOTARAUDEUSE	2	\$3.06
106	13-14331060	BRACKET	SUPPORT	1	\$4.54
107	13-14331070	HEX. BOLT	BOULON HEXAGONAL	1	\$2.69
108	13-14331080	COVER KNOB	BOUTON DU COUVERCLE	1	\$8.05
109	13-14331090	TOOTH WASHER	RONDELLE DENTELEE	1	\$2.87
110	13-14331100	DUST CHUTE ADAPTOR	ADAPTATEUR/SORTIE DE POUSSIERE	1	\$15.65
111	13-14331110	FLANGE HD SCREW	VIS A TETE BRIDEE	2	\$2.42
111-1	13-14331111	COMPLETE MITER GAUGE ASS'Y	GUIDE A ONGLETS COMPLET ASS.	1	\$36.59
121	13-14331210	LOWER BLADE GUARD	PROTECTEUR DE LAME (BAS)	1	\$9.90
122	13-14331220	CAST IRON TABLE - 14" X 14"	TABLE EN FONTE 14" X 14"	1	\$311.15
123	13-14331230	TABLE INSERT	INSERTION DE TABLE	1	\$13.30
124	13-14331240	SPRING PIN	GOUPILLE A RESSORT	1	\$2.87
125	13-14331250	TABLE PIN	GOUPILLE DE LA TABLE	1	\$6.20
126	13-14331260	ANGLE SCALE	ECELLE D'ANGLE	1	\$5.46
127	13-14331270	TRUNNION	TOURILLON	2	\$23.80
128	13-14331280	FLANGE HD SCREW	VIS A TETE BRIDEE	6	\$2.50
129	13-14331290	TRUNNION CLAMP SHOE	SABOT DE TOURILLON	2	\$8.05
130	13-14331300	HEX. BOLT	BOULON HEXAGONAL	2	\$3.53
131	13-14331310	LOCK HANDLE	POIGNEE DE VERROUILLAGE	2	\$8.99
132	13-14331320	TRUNNION BRACKET	SUPPORT DES TOURILLONS	1	\$60.65
133	13-14331330	POINTER	INDICATEUR	1	\$4.17
134	13-14331340	PAN HD SCREW	VIS A TETE BOMBEE	1	\$2.69
135	13-14331350	HEX. BOLT	BOULON HEXAGONAL	1	\$5.46
136	13-14331360	HEX. NUT	ECROU HEXAGONAL	1	\$2.59
137	13-14331370	HEX. BOLT	BOULON HEXAGONAL	2	\$3.06
138	13-14331380	SPRING WASHER	RONDELLE A RESSORT	2	\$2.69
139	13-14331390	FLOOR CABINET (SPECIAL ORDER)	CABINET INDUSTRIEL (COMM. SPEC.)	1	\$583.41
140	13-14331400	CABINET DOOR	PORTE DU CABINET	1	\$127.79
141	13-14331410	DOOR LATCH ASSEMBLY	SERRURE ASSEMBLEE	1	\$29.54
142	13-14331420	WASHER	RONDELLE	2	\$2.50
143	13-14331430	PAN HD SCREW	VIS A TETE BOMBEE	2	\$2.50
144	13-14331440	SAFETY PLATE	PLAQUE DE SECURITE	1	\$7.13
145	13-14331450	STRAIN RELIEF	ATTACHE FIL	1	\$4.17
146	13-14331460	PAN HD SCREW	VIS A TETE BOMBEE	6	\$2.50
147	13-14331470	MOTOR MOUNTING PLATE	PLAQUE DE MONTAGE DU MOTEUR	1	\$73.81
148	13-14331480	MOTOR	MOTEUR	1	\$461.17
148-2	13-14331482	STARTING CAPACITOR	CONDENSATEUR DE DEMARRAGE	1	\$62.87
148-3	13-14331483	STARTING POINT (DOUBLE)	POINTE DE DEMARRAGE (DOUBLE)	1	\$36.95
148-4	13-14331484	STARTER SWITCH	COMMUTATEUR DE DEMARRAGE	1	\$45.66
149	13-14331490	PULLEY BOX	BOITE DE POULIE	1	\$62.50
150	13-14331500	LOCK KNOB	BOUTON DE VERROUILLAGE	1	\$5.09
151	13-14331510	WASHER	RONDELLE	1	\$2.50
152	13-14331520	HEX. BOLT	BOULON HEXAGONAL	1	\$2.69
153	13-14331530	HEX. BOLT	BOULON HEXAGONAL	4	\$2.87
154	13-14331540	CARRIAGE BOLT	BOULON A CARROSSERIE	4	\$3.06
155	13-14331550	WASHER	RONDELLE	12	\$2.59
156	13-14331560	SPRING WASHER	RONDELLE A RESSORT	8	\$2.69

Pricing subject to change without prior notice. / Prix sujet à changement sans préavis.





## Parts Pricing List / Liste de Prix des Pièces **KC-1433FXR**

Diag.	Order # Com.	English Description	Description Française	Qty./Qté.	Price/Prix
157	13-14331570	HEX. NUT	ECROU HEXAGONAL	8	\$2.59
158	13-14331580	WASHER	RONDELLE	8	\$2.69
159	13-14331590	MOTOR CORD	CORDON DU MOTEUR	1	\$25.83
161	13-14331610	HEX. NUT	ECROU HEXAGONAL	4	\$2.50
162	13-14331620	PAN HD SCREW	VIS A TETE BOMBEE	4	\$2.50
163	13-14331630	PULLEY BRACKET (OLD)	SUPPORT DE POULIE (ANCIEN)	1	\$43.81
163-1	13-14331631	PULLEY BRACKET (NEW)	SUPPORT DE POULIE (NOUVEAU)	1	\$43.81
164	13-14331640	HEX. BOLT	BOULON HEXAGONAL	3	\$2.69
165	13-14331650	SPRING WASHER	RONDELLE A RESSORT	3	\$2.69
166	13-14331660	WASHER	RONDELLE	3	\$2.59
167	13-14331670	IDLE PULLEY	POULIE DE TRANSITION	1	\$66.21
167-1	13-14331671	IDLE PULLEY ASS'Y	POULIE DE TRANSITION ASSEMBLEE	1	\$138.63
168	13-14331680	BALL BEARING	ROULEMENT A BILLES	2	\$18.42
169	13-14331690	RETAINING RING/BORE	ANNEAU DE RETENU/ALESAGE	1	\$4.17
170	13-14331700	WHEEL HEX. NUT	ECROU HEXAGONAL POUR ROUE	1	\$4.35
171	13-14331710	MOTOR PULLEY	POULIE DU MOTEUR	1	\$53.44
172	13-14331720	KEY	CLE DE RETENUE	1	\$3.24
173	13-14331730	SET SCREW	VIS SANS TETE	1	\$2.50
174	13-14331740	V-BELT (SHORT)	COURROIE EN "V" (COURTE)	1	\$16.57
175	13-14331750	V-BELT (LONG)	COURROIE EN "V" (LONGUE)	1	\$21.58
189	13-14331890	"T" HOLDER BRACKET	SUP. EN "T" DE RETENU/ROULEMENTS	2	\$17.31
189-1	13-14331891	"T" HOLDER BRACKET ASS'Y	SUP. EN "T" DE RET./ROULEMENTS ASS.	2	\$99.74
190	13-14331900	SPRING WASHER	RONDELLE A RESSORT	2	\$2.50
191	13-14331910	CAP SCREW	BOULON A TETE CYLINDRIQUE	2	\$4.17
192	13-14331920	ECCENTRIC SHAFT	TIGE EXCENTRIQUE	4	\$20.10
193	13-14331930	BALL BEARING	ROULEMENT A BILLES	4	\$22.13
194	13-14331940	WASHER	RONDELLE	4	\$2.42
195	13-14331950	CAP SCREW	BOULON A TETE CYLINDRIQUE	4	\$3.61
196	13-14331960	NEW LOWER GUIDE BRACKET	NOUVEAU SUPPORT DU GUIDE (BAS)	1	\$29.36
196-1	13-14331961	"NEW" COMP. LOWER GUIDE BRACKET	NOUV. SUP. COMP/GUIDE DE LAME (BAS)	1	\$199.38
201	13-14332010	FIXED BASE RAIL	BARRE DE FIXATION DU GUIDE	1	\$99.37
202	13-14332020	ADJUST BASE	SOCLE D'AJUSTEMENT DU GUIDE	1	\$92.33
203	13-14332030	FIXED SHAFT	TIGE DE FIXATION	2	\$9.16
204	13-14332040	LOCKING CLAMP SHOE SHAFT	TIGE DE VERROUILLAGE DU SABOT	1	\$10.65
205	13-14332050	SPRING BLADE	LAME A RESSORT	1	\$6.02
206	13-14332060	FENCE PLATE	PLAQUE DU GUIDE	1	\$7.31
209	13-14332090	CLAMP SHOE HANDLE	POIGNEE DE VERROUILLAGE	1	\$16.57
210	13-14332100	ADJUSTABLE FOOT	PIED AJUSTABLE	1	\$16.57
211	13-14332110	CONVEX MAGNIFYING GLASS	LOUPE CONVEXE	1	\$8.62
213	13-14332130	CLAMP SHOE	SABOT DE VERROUILLAGE	1	\$14.54
214	13-14332140	REAR SQUARE TUBE	TUBULAIRE CARRE ARRIERE	1	\$27.68
215	13-14332150	HEX. NUT	ECROU HEXAGONAL	1	\$2.59
216	13-14332160	PAN HD SCREW	VIS A TETE BOMBEE	2	\$2.69
217	13-14332170	RAIL END PLATE	PLAQUE DE BOUT DU GUIDE	2	\$8.05
219	13-14332190	PLASTIC END CAP	CAPUCHON DE BOUT EN PLASTIQUE	2	\$4.35
220	13-14332200	TAPPING SCREW	VIS AUTOTARAUDEUSE	4	\$2.69
221	13-14332210	MEASURING TAPE	RUBAN A MESURER	1	\$12.69

Pricing subject to change without prior notice. / Prix sujet à changement sans préavis.



## ® Parts Pricing List / Liste de Prix des Pièces **KC-1433FXR**

Diag.	Order # Com.	English Description	Description Française	Qty./Qté.	Price/Prix
222	13-14332220	HEX. NUT	ECROU HEXAGONAL	2	\$2.59
222-2	RF-1433R	RIP FENCE	GUIDE A REFENDRE	1	-
223	13-14332230	SPRING WASHER	RONDELLE A RESSORT	2	\$2.50
224	13-14332240	CAP SCREW	BOULON A TETE CYLINDRIQUE	2	\$3.61
225	13-14332250	HEX. BOLT	BOULON HEXAGONAL	2	\$2.87
226	13-14332260	FLANGE HD SCREW	VIS A TETE BRIDEE	1	\$2.50
228	13-14332280	WASHER	RONDELLE	2	\$2.50
250	13-14332500	LARGER TUBULAR FENCE	GRAND GUIDE TUBULAIRE	1	\$101.77
251	13-14332510	LARGER FENCE END PLATE	GRANDE PLAQUE DU BOUT DE GUIDE	2	\$5.46
252	13-14332520	CAP SCREW	BOULON A TETE CYLINDRIQUE	4	\$5.83
253	13-14332530	FENCE SLEEVE	MANCHON DU GUIDE	4	\$6.02
254	13-14332540	RESAW GUIDE POST	GUIDE A DEDOUBLEMENT	1	\$7.31
255	13-14332550	WASHER	RONDELLE	1	\$2.69
256	13-14332560	LOCK HANDLE	POIGNEE DE VERROUILLAGE	1	\$16.57
257	13-14332570	BRUSH	BROSSE	1	\$16.02
258	13-14332580	PAN HD SCREW	VIS A TETE BOMBEE	1	\$3.14
555-5	13-14335555	HARDWARE BAG	ENSEMBLE DE QUINCAILLERIE	1	\$53.44
555-6	13-14335556	HARDWARE BAG/RIP FENCE SYSTEM	SAC DE QUINCAILLERIE/SYS. GUIDE	1	\$23.98
	13-1433MBIL	BILINGUAL MANUAL KC-1433FXR	MANUEL BILINGUE KC-1433FXR	1	\$24.17