



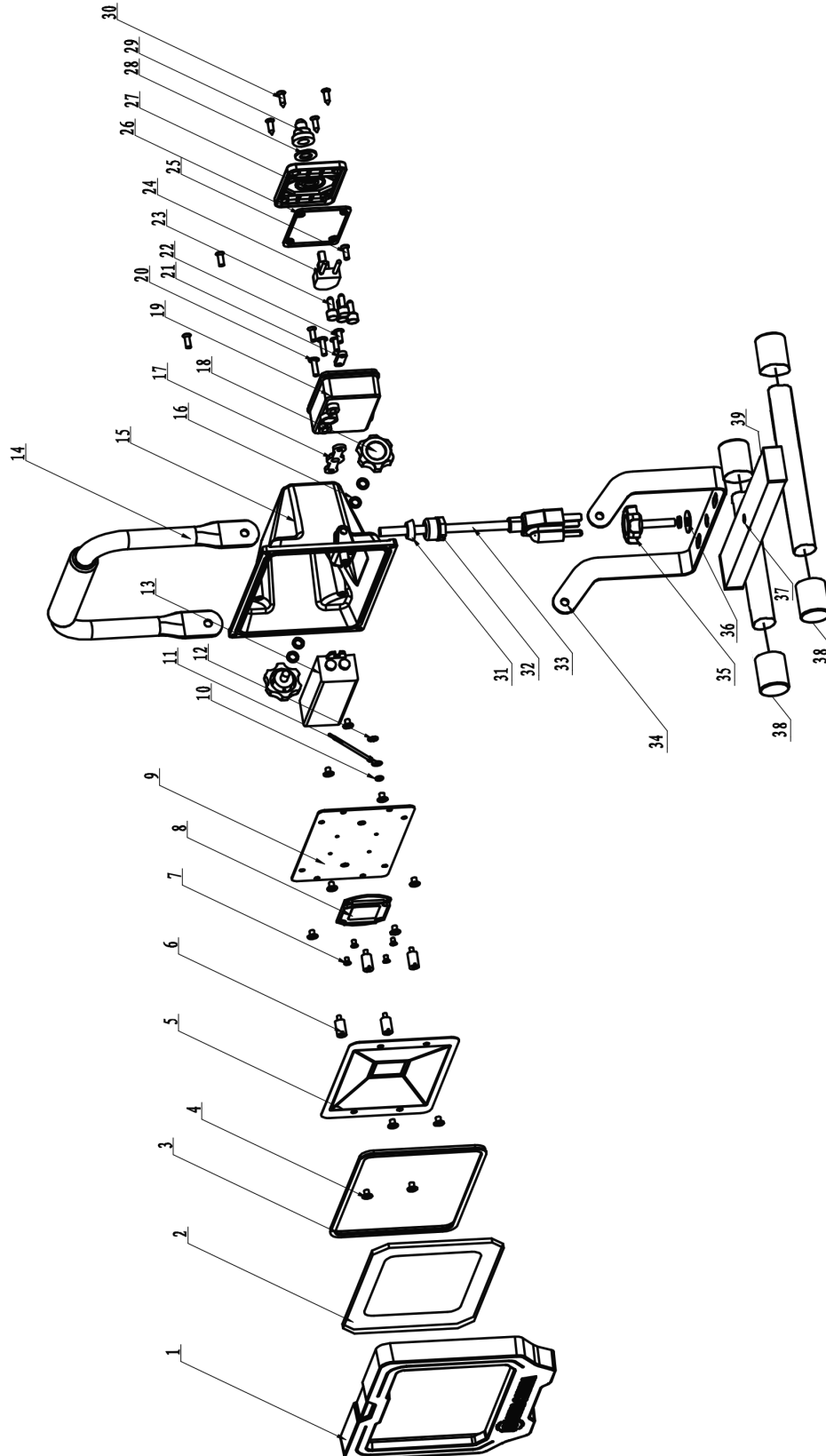
# Service Manual / Manuel de Service

## LED Work Light Lampe de Travail DEL



Revised/Revisé 03/15/2018

### KC-2401LED





## Parts Pricing List / Liste de Prix des Pièces

## KC-2401LED

Diag.	Order # Com.	English Description	Description Française	Qty./Qté.	Price/Prix
1	42-16010010	OUTER COVER	COUVERCLE EXTERIEUR	1	\$8.71
2	42-16010020	PROTECTION COVER	COUVERCLE DE PROTECTION	1	\$5.78
3	42-16010030	SEAL RING	ANNEAU D'ETANCHEITE	1	\$2.85
4	42-16010040	PAN HD SCREW	VIS A TETE BOMBEE	11	\$2.50
5	42-16010050	REFLECTOR	REFLECTEUR	1	\$8.04
6	42-16010060	FIXED LEG	JAMBE FIXE	4	\$1.16
7	42-16010070	COUNTERSUNK HD SCREW	VIS A TETE FRAISEE	4	\$1.39
8	42-16010080	LED LIGHT	LUMIERE DEL	1	\$20.42
9	42-16010090	LIGHT SOURCE FIXED PLATE	PLAQUE FIXE	1	\$6.13
10	42-16010100	SPRING WASHER	RONDELLE A RESSORT	1	\$2.50
11	42-16010110	GROUND WIRE	FIL DE MISE A LA TERRE	1	\$1.39
12	42-16010120	TOOTH TYPE GASKET	JOINT D'ETANCHEITE DENTELEE	1	\$1.10
13	42-16010130	CONTROL BOX	BOITE DE CONTROLE	1	\$17.50
14	42-16010140	HANDLE	POIGNEE	1	\$7.25
15	42-16010150	HOUSING	BOITIER	1	\$10.18
16	42-16010160	SPRING WASHER	RONDELLE A RESSORT	5	\$2.50
17	42-16010170	THREE HOLE GASKET	JOINT D'ETANCHEITE A TROIS TROUS	1	\$1.39
18	42-16010180	LOCK KNOB	BOUTON DE VERROUILLAGE	2	\$2.85
19	42-16010190	JUNCTION BOX	BOITE ELECTRIQUE	1	\$5.78
20	42-16010200	CROSS SCREW	VIS	2	\$1.39
21	42-16010210	TENSION DISC	DISQUE DE TENSION	1	\$2.85
22	42-16010220	CROSS SELF SCREW	VIS	2	\$1.39
23	42-16010230	WIRE CONNECTOR	CONNECTEUR DE FIL	4	\$1.74
24	42-16010240	SWITCH	INTERRUPTEUR	1	\$5.78
25	42-16010250	STAINLESS STEEL CROSS SCREW	VIS EN ACIER INOXYDABLE	4	\$1.39
26	42-16010260	JUNCTION BOX SEALING RING	ANNEAU DE LA BOITE DE CONTROLE	1	\$1.39
27	42-16010270	JUNCTION BOX LID	COUV. DE LA BOITE ELECTRIQUE	1	\$2.85
28	42-16010280	SWITCH GASKET	JOINT D'ETANCHEITE DE L'INTERR.	1	\$1.39
29	42-16010290	SWITCH CAP	CAPUCHON	1	\$2.33
30	42-16010300	COUNTERSUNK HD SCREW	VIS A TETE FRAISEE	4	\$2.50
31	42-16010310	PLUG	BOUCHON	1	\$1.39
32	42-16010320	STRAIN RELIEF	ATTACHE FIL	1	\$1.39
33	42-16010330	POWER CORD	CORDON D'ALIMENTATION	1	\$8.71
34	42-16010340	SUPPORTING STRUCTURE	STRUCTURE DE SUPPORT	1	\$7.25
35	42-16010350	LOCK KNOB	BOUTON DE VERROUILLAGE	1	\$2.85
36	42-16010360	WASHER	RONDELLE	1	\$2.50
37	42-16010370	BASE	BASE	1	\$8.18
38	42-16010380	FOOT	PIED	4	\$1.74
39	42-16010390	BASE CAP	CAPUCHON DE LA BASE	2	\$1.39
	422401MBIL	BILINGUAL MANUAL KC-2401LED	MANUEL BILINGUE KC-2401LED	1	\$24.17