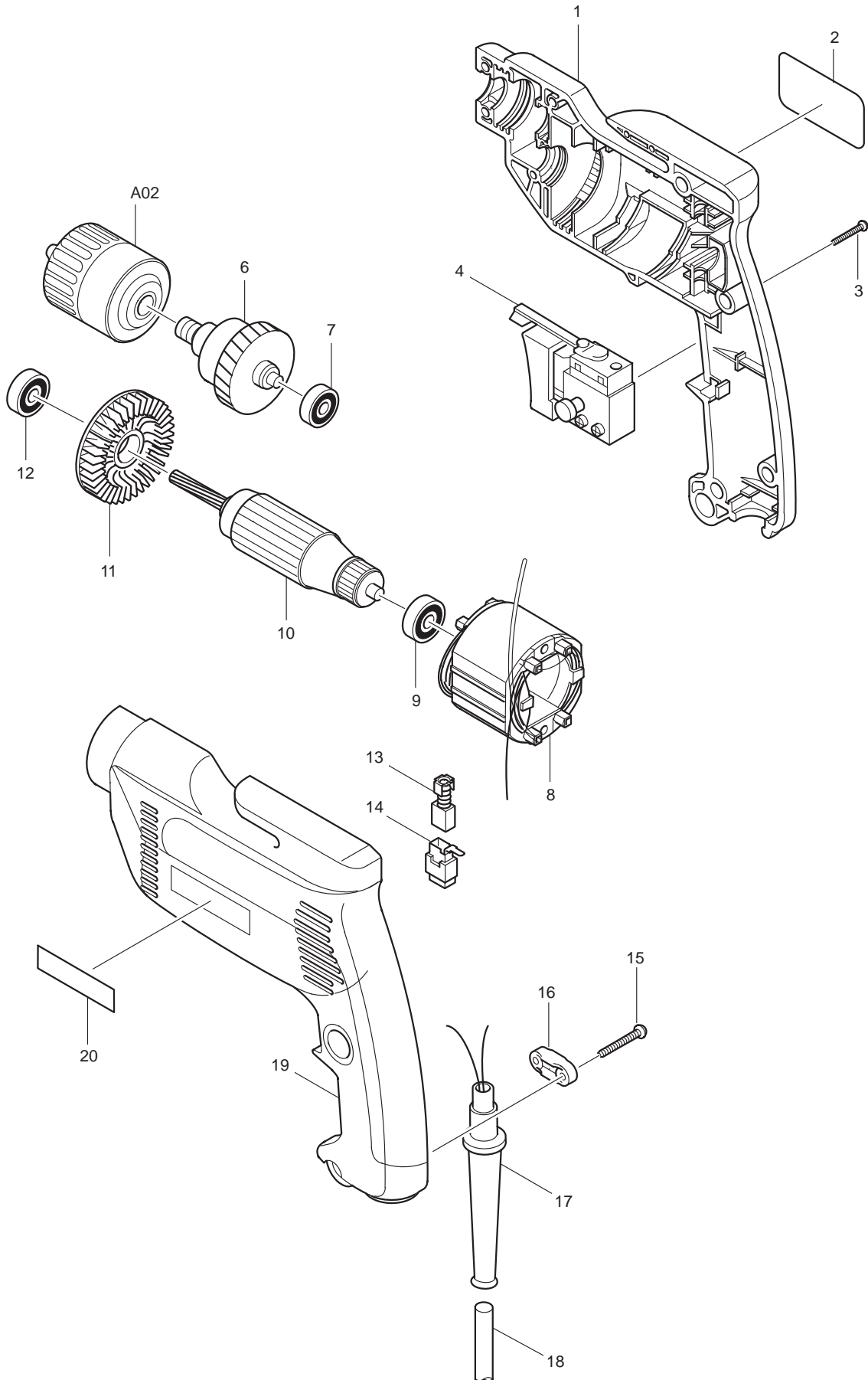




02 - 2010
6408, 6408K
3/8" KEYLESS DRILL



Item No	Type	Part No	Description	Qty	Unit
001	2	182862-9	HOUSING SET (OLD# 416149-0 - HANDLE RIGHT)	1	SET
002		858462-4	NAME PLATE F/6408	1	PC.
003		265995-6	TAPPING SCREW 4X18	8	PC.
004		651986-7	SWITCH TG803TLB-1 (OLD# 651987-5 - N/L/A)	1	PC.
006		153246-8	GEAR COMPLETE	1	PC.
007		211020-1	BALL BEARING 626Z	1	PC.
008		633336-8	FIELD 115V	1	PC.
009		211030-8	BALL BEARING 627Z	1	PC.
010		517196-5	ARMATURE ASS'Y 115V	1	PC.
	INC.		Item No. 9,11,12		
011		241881-5	FAN 52	1	PC.
012		211030-8	BALL BEARING 627Z	1	PC.
013	2	195007-0	CARBON BRUSH CB-407 2PC/SET, W/O ORIGIN	1	SET
014		643936-6	BRUSH HOLDER	2	PC.
015		265995-6	TAPPING SCREW 4X18	2	PC.
016		687063-9	CORD CLAMP (STRAIN RELIEF)	1	PC.
017		682502-4	CORD GUARD 8-85	1	PC.
018	3	664064-4	CORD W/PLUG 2P-18-2.5M, SJ	1	PC.
019	2	182862-9	HOUSING SET (OLD# 416150-5 HANDLE LEFT)	1	SET
	INC.		Item No. 1		
020		819063-3	MAKITA LABEL	1	PC.
<u>ACCESSORIES</u>					
A01	2	A82500-7	PLASTIC CARRYING CASE	1	PC.
	INC.	A00182-5	SNAP LOCK M (LATCH)	2	PC.
	INC.	A00180-9	PLASTIC HANDLE (S)	1	PC.
A02	2	763132-1	KEYLESS DRILL CHUCK 10	1	PC.