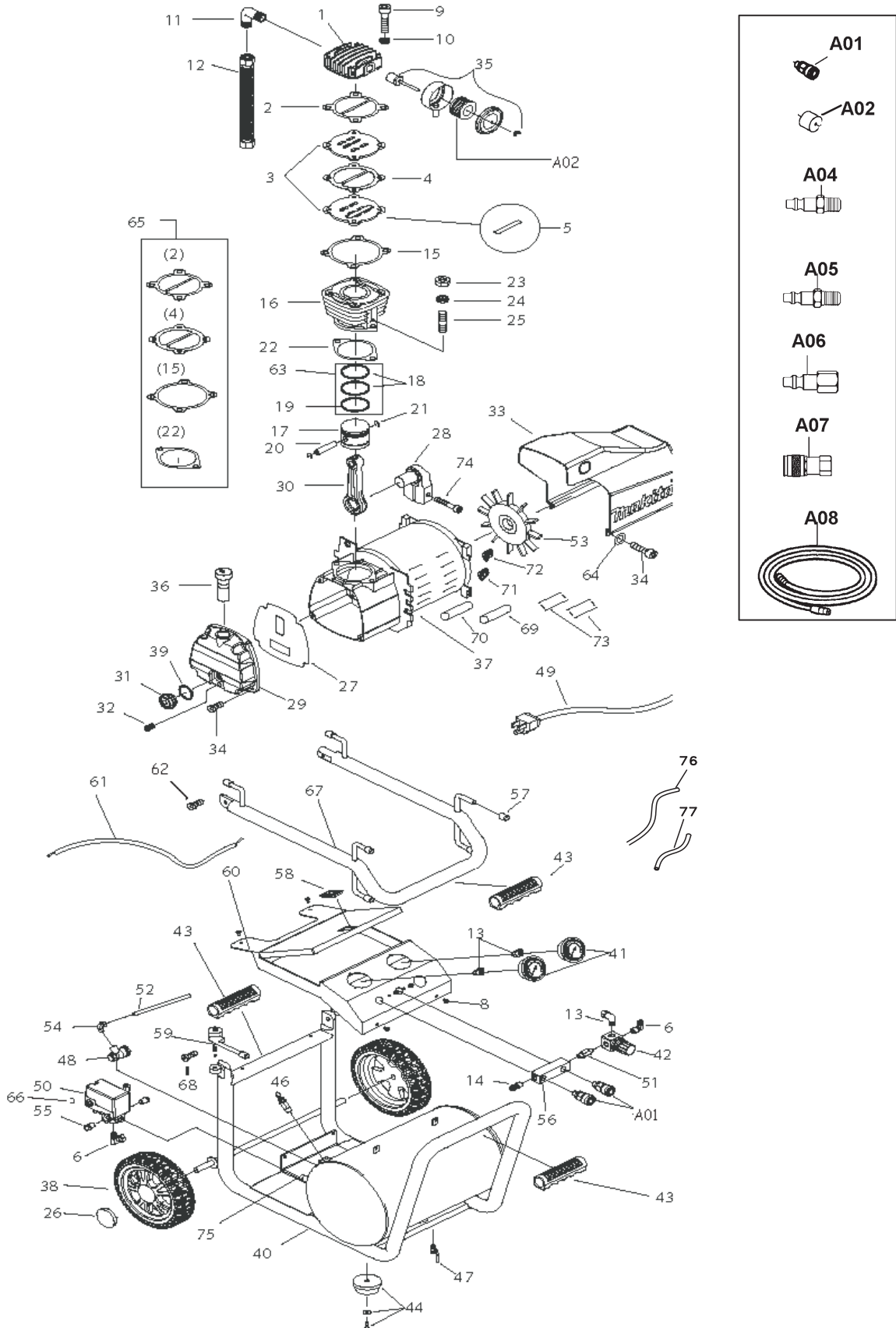




10 - 2010  
MAC5200  
3HP, 5.2Gal. SINGLE COMPRESSOR  
Regular Tire  
(\*No-Flat Tire, See Page 4 - MAC5200-P)



Item No.	Type	Sub	Part No.	Description	Qty	Unit
1			101001	CYLINDER HEAD	1	PC.
2			211001	VALVE SEAT TO HEAD GASKET	1	PC.
3			104005	INLET & EXHAUST VALVE SEAT	2	PC.
4			212006	INLET & EXHAUST VALVE SEAL GASKET	1	PC.
5			125004	INLET & EXHAUST VALVE PLATE	2	PC.
6			151209	ELBOW	2	PC.
8			365003	BOLT FOR CONSOLE	4	PC.
9			352087	CYLINDER HEAD BOLT	4	PC.
10			382011	SPRING WASHER	4	PC.
11			151404	DISCHARGE ELBOW	1	PC.
12			230092S	DISCHARGE TUBE ASSY	1	PC.
13			151001	UNLOADING ELBOW	3	PC.
14			441025	NIPPLE	1	PC.
15			213009	VALVE SEAT TO CYLINDER GASKET	1	PC.
16			201013	CYLINDER	1	PC.
17			203002	PISTON	1	PC.
18			206002	COMPRESSION RING	2	PC.
19			207002	OIL CONTROL RING	1	PC.
20			204002	PISTON PIN	1	PC.
21			205001	PISTON PIN SNAP RING	2	PC.
22			214001	CYLINDER TO CRANKCASE GASKET	1	PC.
23			371005	SET NUT (CYLINDER TO CRANKCASE)	2	PC.
24			382005	SPRING WASHER (CYLINDER TO CRANKCASE)	2	PC.
25			358001	DOUBLE HEAD SCREW	2	PC.
26	1		402015-01	RETAINER CAP L, PLASTIC F/WHEEL #402015 (Use with 403002)	2	PC.
	2		403002	RETAINER CAP S, METAL F/WHEEL #402015 OR #2920295	2	PC.
27			215001	CRANKCASE COVER GASKET	1	PC.
28			302001	CRANKSHAFT	1	PC.
29			304014	CRANKCASE COVER	1	PC.
30			316001	CONNECTING ROD	1	PC.
31			321001	OIL SIGHT GAUGE	1	PC.
32			360001	OIL DRAINING PLUG	1	PC.
33			433011	MOTOR COVER	1	PC.
34			352071	MOTOR/CRANKCASE COVER BOLT	9	PC.
35			170013	AIR FILTER ASSY	1	PC.
36			324003	OIL FILLER/CRANKCASE BREATHER	1	PC.
37			251209	ELECTRIC MOTOR/CRANKCASE	1	PC.
		INC.		Item No. 53, 61, 69-71, 73		
38	2		2020295	WHEEL	2	PC.
39			217001	OIL GAUGE GASKET	1	PC.
40			401125	AIR TANK WITH FRAME	1	PC.
41			411029	PRESSURE/REGULATOR GAUGE	2	PC.
		INC.	411029-1-01	GLASS LENS	2	PC.
42			410029	REGULATOR	1	PC.
43			435016	RUBBER HANDLE	3	PC.
44			434006	TANK FOOT ASSY	2	PC.
46			407001	SAFETY VALVE (1/4")	1	PC.
47			413008	DRAIN COCK	1	PC.
48			409004	CHECK VALVE	1	PC.
		INC.	485002	ORANGE PUCK	1	PC.
49			452015	POWER CORD	1	PC.
50			412025	PRESSURE SWITCH	1	PC.
51			441001	REGULATOR NIPPLE	1	PC.
52			228070	UNLOADING TUBE ASSY (1/4")	1	PC.
53			431010	MOTOR FAN	1	PC.
54			151002	UNLOADING ELBOW	1	PC.
55			360002	PLUG	2	PC.

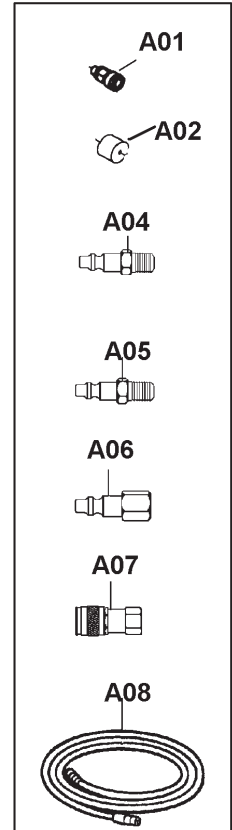
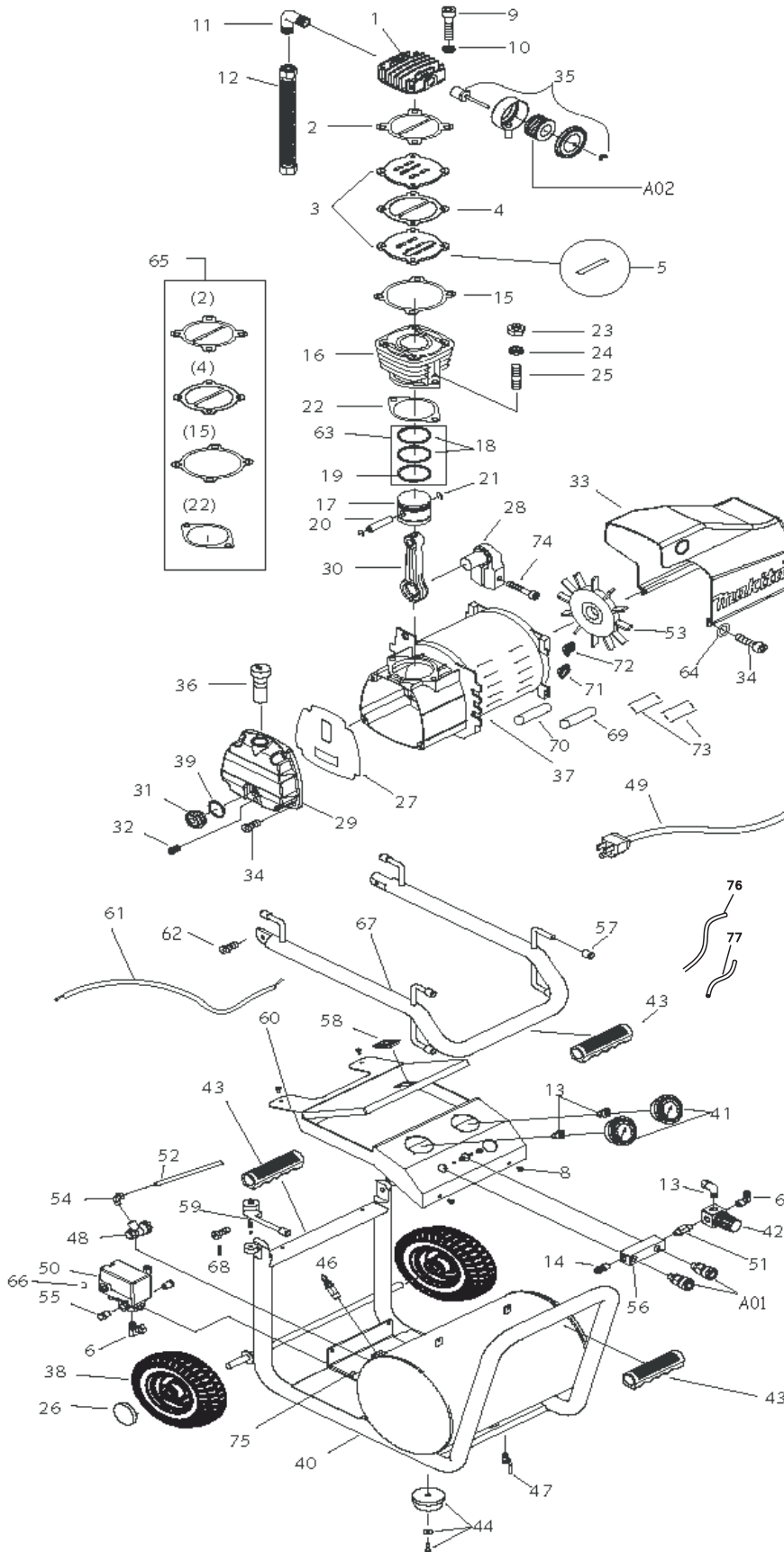
Item No.	Type	Sub	Part No.	Description	Qty	Unit
56			421006	MANIFOLD BLOCK	1	PC.
57			439008	RUBBER CUP	6	PC.
58			435015	TOOL BOX LOCK	1	PC.
59			435010	FOLDING HANDLE LOCK SET (L&R)	1	PC.
60			480039	TOOL BOX	1	PC.
61			453076	WIRING HARNESS (MOTOR PR. SWITCH)	1	PC.
62			353145	BOLT FOR FOLDING HANDLE LOCK	2	PC.
63			RK5200	RING KIT (Includes Item 18 & 19)	1	PC.
64			382004	SPRING WASHER FOR MOTOR COVER	4	PC.
65			GK5200	GASKET KIT (Includes Item 2, 4, 15 & 22)	1	PC.
66			457002	STRAIN RELIEF CLIP	1	PC.
67			435006	FOLDING HANDLE	1	PC.
68			351074	BOLT FOR FOLDING HANDLE LOCK	2	PC.
69			460008	START CAPACITOR	1	PC.
70			462009	RUN CAPACITOR	1	PC.
71			458003	OVERLOAD SWITCH	1	PC.
72			459002	CENTRIFUGAL SWITCH	1	PC.
73			455015	CAPACITOR COVER	2	PC.
74			352106	CRANKSHAFT BOLT	1	PC.
75			488005	BASE PLATE	1	PC.
76			247110	TUBE 3/8" (Added)	1	PC.
76-1			375002	NUT 3/8" F/TUBE 3/8" (Added) - Image N/A	2	PC.
77			240050	TUBE 5/32" x 1/4" (Added)	1	PC.
77-2			375001	NUT 1/4" F/TUBE 5/32" x 1/4" (Added) - Image N/A	2	PC.
78			353145	BOLT (Added)	1	PC.
80			353001	SCREW F/PRESSURE GAUGE	1	PC.
81			371001	NUT F/PRESSURE GAUGE	1	PC.
C01			471151	CARTON	1	PC.

### **ACCESSORIES**

A01	2		10TT-8	QUICK COUPLER (1/4")	2	PC.
A02			171006	AIR FILTER (ELEMENT ONLY)	1	PC.
A03			181122-A	COMPRESSOR OIL (0.25L)	1	PC.
			EAOIL10	COMPRESSOR OIL (1 LITER)	1	PC.
A04			YY036003-A	QUICK CONNECT 1/4" X 1/4" MALE	1	PC.
A05			YY36003-1	QUICK CONNECT 1/4" X 3/8" MALE	1	PC.
A06			YY311002-X	QUICK CONNECT 1/4" X 1/4" FEMALE	1	PC.
A07			YY311018-A	UNIVERSAL AIR COUPLER 1/4" X 1/4" FEMALE	1	PC.
A08			YYVAH25	3/8" X 25' P.V.C. AIR HOSE	1	PC.
			YYVAH50	3/8" X 50' P.V.C. AIR HOSE	1	PC.
			YYRAH25	3/8" X 25' RUBBER AIR HOSE	1	PC.
			YYRAH50	3/8" X 50' RUBBER AIR HOSE	1	PC.
			YYRAH100	3/8" X 100' RUBBER AIR HOSE	1	PC.



10 - 2010  
MAC5200-P  
3HP, 5.2Gal. SINGLE COMPRESSOR  
No-Flat Tire  
(\*Regular Tire, See Page 1 - MAC5200)



Item No.	Type	Sub	Part No.	Description	Qty	Unit
1			101001	CYLINDER HEAD	1	PC.
2			211001	VALVE SEAT TO HEAD GASKET	1	PC.
3			104005	INLET & EXHAUST VALVE SEAT	2	PC.
4			212006	INLET & EXHAUST VALVE SEAL GASKET	1	PC.
5			125004	INLET & EXHAUST VALVE PLATE	2	PC.
6			151209	ELBOW	2	PC.
8			365003	BOLT FOR CONSOLE	4	PC.
9			352087	CYLINDER HEAD BOLT	4	PC.
10			<b>382011</b>	SPRING WASHER	4	PC.
11			151404	DISCHARGE ELBOW	1	PC.
12			230092S	DISCHARGE TUBE ASSY	1	PC.
13			151001	UNLOADING ELBOW	3	PC.
14			441025	NIPPLE	1	PC.
15			213009	VALVE SEAT TO CYLINDER GASKET	1	PC.
16			201013	CYLINDER	1	PC.
17			203002	PISTON	1	PC.
18			206002	COMPRESSION RING	2	PC.
19			207002	OIL CONTROL RING	1	PC.
20			204002	PISTON PIN	1	PC.
21			205001	PISTON PIN SNAP RING	2	PC.
22			214001	CYLINDER TO CRANKCASE GASKET	1	PC.
23			371005	SET NUT (CYLINDER TO CRANKCASE)	2	PC.
24			382005	SPRING WASHER (CYLINDER TO CRANKCASE)	2	PC.
25			358001	DOUBLE HEAD SCREW	2	PC.
26			<b>403003</b>	RETAINER CAP FOR WHEELS #402007	2	PC.
27			215001	CRANKCASE COVER GASKET	1	PC.
28			302001	CRANKSHAFT	1	PC.
29			304014	CRANKCASE COVER	1	PC.
30			316001	CONNECTING ROD	1	PC.
31			321001	OIL SIGHT GAUGE	1	PC.
32			360001	OIL DRAINING PLUG	1	PC.
33			433011	MOTOR COVER	1	PC.
34			352071	MOTOR/CRANKCASE COVER BOLT	9	PC.
35			170013	AIR FILTER ASSY	1	PC.
36			324003	OIL FILLER/CRANKCASE BREATHER	1	PC.
37			251209	ELECTRIC MOTOR/CRANKCASE	1	PC.
		INC.		Item No. 53, 61, 69-71, 73		
38			<b>402007</b>	WHEEL (NO-FLAT)	2	PC.
39			217001	OIL GAUGE GASKET	1	PC.
40			<b>401130</b>	AIR TANK WITH FRAME	1	PC.
41			411029	PRESSURE/REGULATOR GAUGE	2	PC.
			411029-1-01	GLASS LENS	2	PC.
42			410029	REGULATOR	1	PC.
43			435016	RUBBER HANDLE	3	PC.
44			434006	TANK FOOT ASSY	2	PC.
46			407001	SAFETY VALVE (1/4")	1	PC.
47			413008	DRAIN COCK	1	PC.
48			409004	CHECK VALVE	1	PC.
		INC.	485002	ORANGE PUCK	1	PC.
49			452015	POWER CORD	1	PC.
50			412025	PRESSURE SWITCH	1	PC.
51			441001	REGULATOR NIPPLE	1	PC.
52			228070	UNLOADING TUBE ASSY (1/4")	1	PC.
53			431010	MOTOR FAN	1	PC.
54			151002	UNLOADING ELBOW	1	PC.
55			360002	PLUG	2	PC.
56			421006	MANIFOLD BLOCK	1	PC.

Item No.	Type	Sub	Part No.	Description	Qty	Unit
57			439008	RUBBER CUP	6	PC.
58			435015	TOOL BOX LOCK	1	PC.
59			435010	FOLDING HANDLE LOCK SET (L&R)	1	PC.
60			480039	TOOL BOX	1	PC.
61			453076	WIRING HARNESS (MOTOR PR. SWITCH)	1	PC.
62			353145	BOLT FOR FOLDING HANDLE LOCK	2	PC.
63			RK5200	RING KIT (Includes Item 18 & 19)	1	PC.
64			382004	SPRING WASHER FOR MOTOR COVER	4	PC.
65			GK5200	GASKET KIT (Includes 2, 4, 15 & 22)	1	PC.
66			457002	STRAIN RELIEF CLIP	1	PC.
67			435006	FOLDING HANDLE	1	PC.
68			351074	BOLT FOR FOLDING HANDLE LOCK	2	PC.
69			460008	START CAPACITOR	1	PC.
70			462009	RUN CAPACITOR	1	PC.
71			458003	OVERLOAD SWITCH	1	PC.
72			459002	CENTRIFUGAL SWITCH	1	PC.
73			455015	CAPACITOR COVER	2	PC.
74			352106	CRANKSHAFT BOLT	1	PC.
75			488005	BASE PLATE	1	PC.
76			247110	TUBE 3/8" (Added)	1	PC.
76-1			375002	NUT 3/8" F/TUBE 3/8" (Added) - Image N/A	2	PC.
77			240050	TUBE 5/32" x 1/4" (Added)	1	PC.
77-2			375001	NUT 1/4" F/TUBE 5/32" x 1/4" (Added) - Image N/A	2	PC.
78			353145	BOLT (Added)	1	PC.
80			353001	SCREW F/PRESSURE GAUGE	1	PC.
81			371001	NUT F/PRESSURE GAUGE	1	PC.
C01			471151	CARTON	1	PC.

### **ACCESSORIES**

A01	2		10TT-8	QUICK COUPLER (1/4")	2	PC.
A02			171006	AIR FILTER (ELEMENT ONLY)	1	PC.
A03			181122-A	COMPRESSOR OIL (0.25L)	1	PC.
			EAOIL10	COMPRESSOR OIL (1 LITER)	1	PC.
A04			YY036003-A	QUICK CONNECT 1/4" X 1/4" MALE	1	PC.
A05			YY36003-1	QUICK CONNECT 1/4" X 3/8" MALE	1	PC.
A06			YY311002-X	QUICK CONNECT 1/4" X 1/4" FEMALE	1	PC.
A07			YY311018-A	UNIVERSAL AIR COUPLER 1/4" X 1/4" FEMALE	1	PC.
A08			YYVAH25	3/8" X 25' P.V.C. AIR HOSE	1	PC.
			YYVAH50	3/8" X 50' P.V.C. AIR HOSE	1	PC.
			YYRAH25	3/8" X 25' RUBBER AIR HOSE	1	PC.
			YYRAH50	3/8" X 50' RUBBER AIR HOSE	1	PC.
			YYRAH100	3/8" X 100' RUBBER AIR HOSE	1	PC.