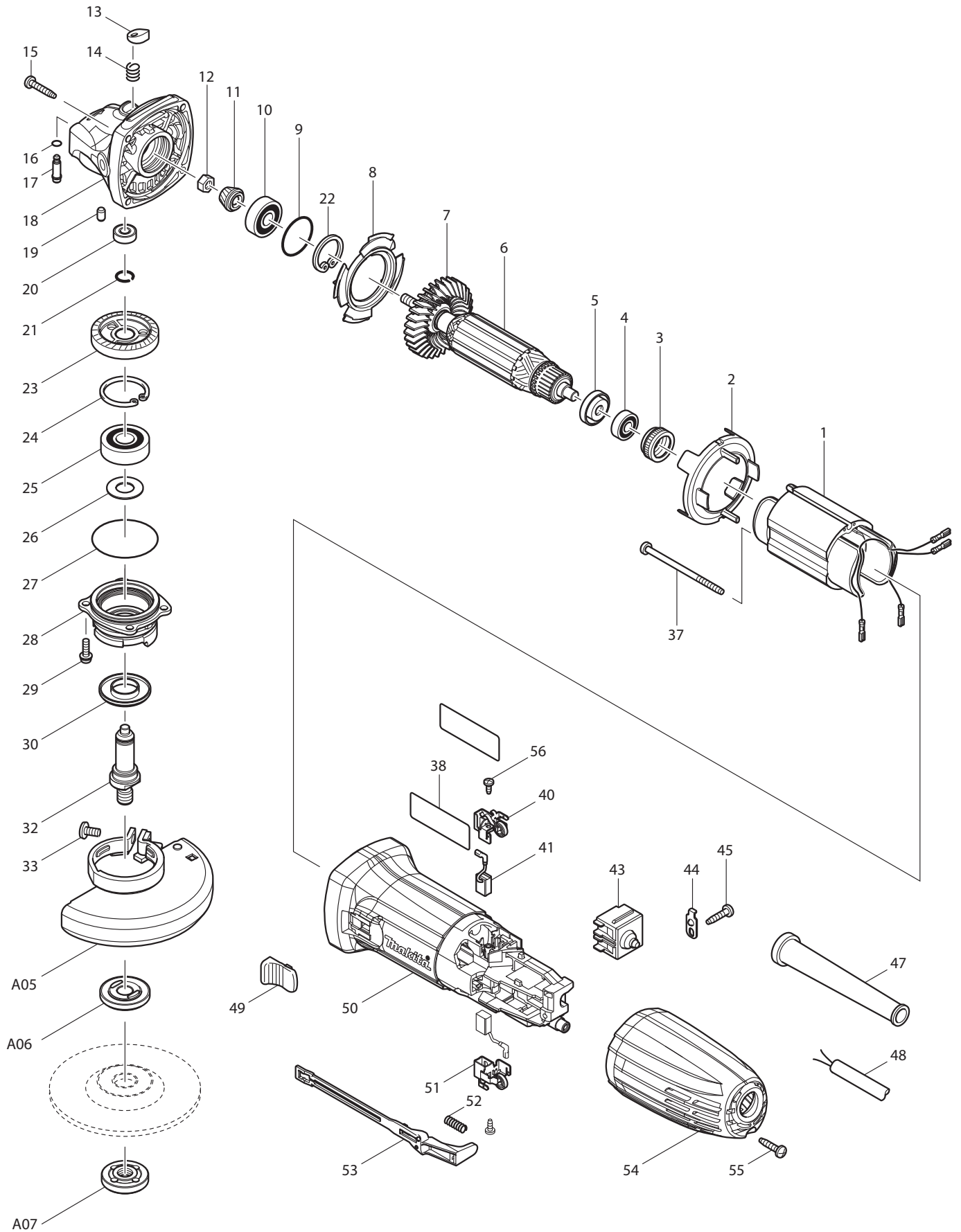




09 - 2010  
GA4030K  
4" ANGLE GRINDER



Item No	Type	Ref	Ref Part No	SC Description	Qty	Unit
1	1		623531-8	FIELD 115V	1	PC.
	2		635111-8	FIELD 115V	1	PC.
2			450796-7	BAFFLE PLATE	1	PC.
3			421868-5	LABYRINTH RUBBER RING 19	1	PC.
4			210034-7	BALL BEARING 607LLB	1	PC.
5			681636-0	INSULATION WASHER	1	PC.
6			517646-0	ARMATURE ASS'Y 115V	1	PC.
		INC.		Item No. 4, 5, 7	1	PC.
7	1		240107-2	FAN 56	1	PC.
	2		240139-9	FAN 56	1	PC.
8			413126-3	GUIDE PLATE	1	PC.
9			213445-5	O-RING 26	1	PC.
10			211092-6	BALL BEARING 629DDW	1	PC.
11			227545-5	SPIRAL BEVEL GEAR 10	1	PC.
12			252186-8	HEX. NUT M6	1	PC.
13			417771-6	PIN CAP	1	PC.
14			234057-1	COMPRESSION SPRING 8	1	PC.
15			266324-6	TAPPING SCREW 4X22	4	PC.
16	2		213032-0	O RING 4 (OLD# 213960-9)	1	PC.
17			256510-7	SHOULDER PIN 4	1	PC.
18			318335-8	GEAR HOUSING	1	PC.
19			263002-9	RUBBER PIN 4	1	PC.
20			210033-9	BALL BEARING 696ZZ	1	PC.
21			233950-6	RING SPRING 11	1	PC.
22			962105-3	RETAINING RING R-26	1	PC.
23			227546-3	SPIRAL BEVEL GEAR 37	1	PC.
24			962151-6	RETAINING RING R-32	1	PC.
25			211129-9	BALL BEARING 6201DDW	1	PC.
26			267113-2	FLAT WASHER 12	1	PC.
27			213561-3	O RING 42	1	PC.
28			318336-6	BEARING BOX	1	PC.
29			265099-4	PAN HEAD SCREW M4X14	4	PC.
30			345464-4	LABYRINTH RING	1	PC.
32			324957-4	SPINDLE A	1	PC.
33			265180-1	PAN HEAD SCREW M5X16	1	PC.
37			266325-4	TAPPING SCREW 4X70	2	PC.
38			866033-3	GA4030 NAME PLATE	1	PC.
40			643839-4	BRUSH HOLDER 6X9	1	PC.
41	1		194721-5	CARBON BRUSH CB-458, 2 PCS/SET (W/O ORIGIN)	1	SET
	2		195025-8	CARBON BRUSH CB-458 2PC/SET (W/ ORIGIN)	1	SET
43	1		650560-8	SWITCH DPX-2110-R	1	PC.
	2		650621-4	SWITCH PS10	1	PC.
	3		651947-7	SWITCH 1247.0302	1	PC.
44			687681-3	STRAIN RELIEF	1	PC.
45			266326-2	TAPPING SCREW 4X18	1	PC.
47			682559-5	CORD GUARD 8	1	PC.
48			664891-9	CORD WITH PLUG 2P-18-2.5M SJ	1	PC.
49			419566-3	SWITCH KNOB	1	PC.

Item No	Type	Ref	Ref Part No	SC Description	Qty	Unit
50	1		158890-6	MOTOR HOUSING COMPLETE	1	PC.
		INC.	810452-5	CAUTION LABEL (FR/SP)	1	PC.
		INC.	810341-4	CAUTION LABEL	1	PC.
	2		144003-5	MOTOR HOUSING COMPLETE	1	PC.
		INC.	809R73-6	CAUTION LABEL (FR/SP)	1	PC.
		INC.	810341-4	CAUTION LABEL	1	PC.
51			643839-4	BRUSH HOLDER 6X9	1	PC.
52			233121-5	COMPRESSION SPRING 4	1	PC.
53			450797-5	SWITCH LEVER	1	PC.
54			450794-1	REAR COVER	1	PC.
55			266326-2	TAPPING SCREW 4X18	1	PC.
56	2		266492-5	TAPPING SCREW 3X8 (OLD# 265954-0)	2	PC.
100			652044-2	+BIND SCREW M3.5 X 5.0 (FOR SWITCH)	2	PC.
101			652263-0	CLAMP WASHER (FOR SWITCH)	2	PC.

### **ACCESSORIES**

- See catalogue or visit [www.makita.ca](http://www.makita.ca) for more optional accessories -

A01			153504-2	GRIP 36 COMPLETE	1	PC.
A02			782420-7	LOCK NUT WRENCH 20	1	PC.
A03			824736-5	PLASTIC CARRYING CASE	1	PC.
		INC.	182935-8	SLIDE LATCH (R.L) SET	1	SET
A04	1		741402-B	4" DEPRESSED CENTER WHEEL A24P	1	PC.
	2		D-20775	4" DEPRESSED CENTER WHEEL A24R-BF	1	PC.
	Opt.		-----	DEPRESSED CENTER GRINDING WHEELS		
A05	1		135238-9	WHEEL COVER ASSEMBLY F/4"	1	PC.
		INC.		Item No.33	1	PC.
	2		122885-5	WHEEL COVER ASSEMBLY F/4"	1	PC.
		INC.	213009-5	O RING 4 (TYPE2)	1	PC.
		INC.		Item No.33	1	PC.
	3		125885-4	WHEEL COVER ASSEMBLY F/4"	1	PC.
		INC.	213009-5	O RING 4	1	PC.
		INC.		Item No.33	1	PC.
A06			224377-1	INNER FLANGE 35	1	PC.
A07			224573-1	LOCK NUT 10-35	1	PC.
A08			194514-0	VIBRATION PROOF GRIP F/4-1/2" - 6", PKG	1	PC.
A10			224501-6	SANDING LOCK NUT M10-1.25	1	PC.
A11			743009-6	RUBBER PAD F/4"	1	PC.
A13			192475-8	DUST EXTRACTOR ATTACHMENT	1	PC.
		INC.	344252-6	BAND 9530	1	PC.
A15			122909-7	4" CUT-OFF WHEEL GUARD	1	PC.