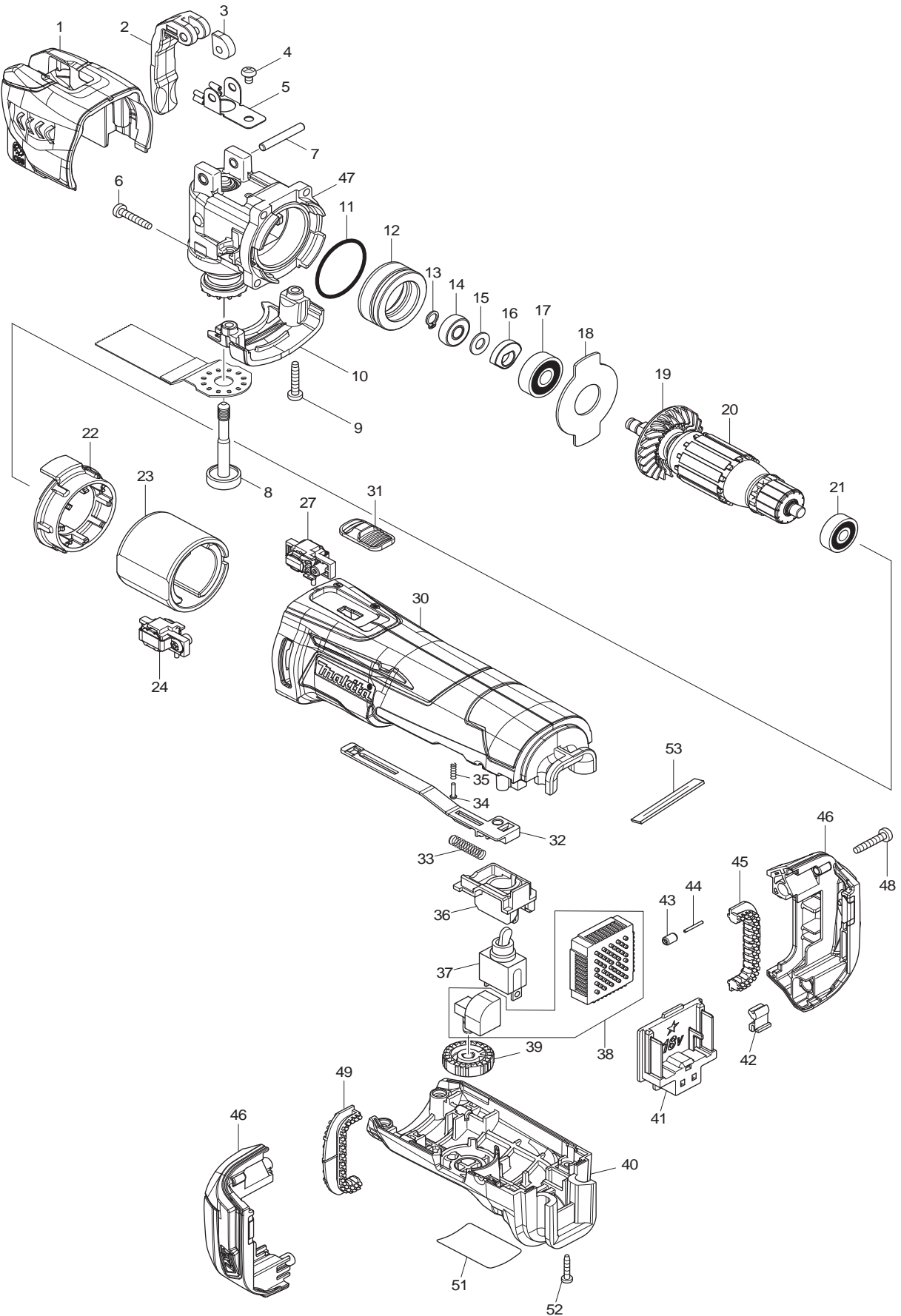




02 - 2014
DTM51ZKX7
18V MULTI-TOOL (TOOLLESS TYPE)



Item No	Type	Sub	Part No	Description	Qty	Unit
001			455272-6	UPPER HEAD COVER	1	PC.
002			319059-9	LEVER	1	PC.
003			313268-2	TURN BLOCK	1	PC.
004			911102-6	PAN HEAD SCREW M4X6	1	PC.
005			232282-8	LEAF SPRING	1	PC.
006			266424-2	TAPPING SCREW 4X20	4	PC.
007			268306-4	PIN 5	1	PC.
008	1		326409-1	HOLDER BOLT	1	PC.
	2		327177-9	HOLDER BOLT	1	PC.
009			266424-2	TAPPING SCREW 4X20	2	PC.
010			454635-3	LOWER HEAD COVER	1	PC.
011			213343-3	O RING 35	1	PC.
012			326347-7	BEARING BOX	1	PC.
013			961003-8	RETAINING RING S-7	1	PC.
014	2		210164-4	* SPHERE BEARING 706	1	PC.
015			253133-2	FLAT WASHER 7	1	PC.
016			313245-4	BALANCER	1	PC.
017			211092-6	BALL BEARING 629DDW	1	PC.
018			285857-2	BEARING RETAINNER	1	PC.
019			240140-4	FAN 46	1	PC.
020			519338-7	ARMATURE ASS'Y 18V	1	PC.
		INC.		Item No. 19, 21		
021			210023-2	BALL BEARING 627DDW	1	PC.
022			455017-2	BUFFLE PLATE	1	PC.
023			632B69-4	YOKE UNIT	1	PC.
024			632B88-0	BRUSH HOLDER COMPLETE	1	PC.
027			632B89-8	BRUSH HOLDER COMPLETE	1	PC.
030			455013-0	MOTOR HOUSING	1	PC.
031			455016-4	SWITCH KNOB	1	PC.
032			455015-6	SWITCH LEVER	1	PC.
033			234263-8	COMPRESSION SPRING 5	1	PC.
034			255058-6	RIVET 2	1	PC.
035			233002-3	COMPRESSION SPRING 3	1	PC.
036			455018-0	SWITCH CASE	1	PC.
037			651423-1	SWITCH	1	PC.
038			620270-1	CONTROLLER	1	PC.
039			271617-8	DIAL 28	1	PC.
040			142617-4	HANDLE COVER COMPLETE	1	PC.
		INC.	263005-3	RUBBER PIN 6	3	PC.
		INC.	803L22-9	CAUTION LABEL	1	PC.
041			643852-2	TERMINAL	1	PC.
042			424476-1	CUSHION	1	PC.
043			263036-2	RUBBER PIN 5	1	PC.
044			268184-2	PIN 1.5	1	PC.
045			424473-7	CUSHION RUBBER	1	PC.
046			187848-8	BATTERY HOUSING SET	1	SET
		INC.	263005-3	RUBBER PIN 6	2	PC.
047	2		143250-5	CRANK HOUSING COMPLETE	1	PC.
048			266424-2	TAPPING SCREW 4X20	2	PC.
049			424473-7	CUSHION RUBBER	1	PC.
051			815M50-8	NAME PLATE F/DTM51	1	PC.
052			266429-2	TAPPING SCREW 3X16	4	PC.
053			423404-3	SPONGE SHEET	1	PC.

Item No	Type	Sub	Part No	Description	Qty	Unit
100			652008-6	PAN HEAD SCREW M3.5X7	2	PC.
101			654077-3	INSULATED TERMINAL FK2-M3D-5.5	1	PC.
102			654510-5	INSULATED CONNECTOR 5.5-SD	1	PC.
<u>ACCESSORIES</u>						
- See Catalogue or visit www.makita.ca for more accessories -						
A01			821608-5	PLASTIC CARRYING CASE	1	PC.
		INC.	162302-3	LATCH	2	PC.
A02			B-21353	PLUNGE CUT SAW BLADE 28 TMA009 F/BIM,WOOD, METAL	1	PC.
A03			B-21565	ABRASIVE PAPER DELTARED LONG60, 10PK	1	SET
A04			B-21593	ABRASIVE PAPER DELTARED LONG120, 10PK	1	SET
A05			B-22931	ABRASIVE PAPER DELTARED LONG240, 10PK	1	SET
A06	1		B-21537	SANDING PAD F/ABRASIVE PAPER DELTA	1	PC.
	2		B-46202	SANDING PAD	1	PC.
A07	1		142257-8	TOOL BOX COMPLETE	1	PC.
	1	INC.	454652-3	LATCH	1	PC.
	2		143308-0	ACCESSORY TOOL BOX COMPLETE	1	PC.
	2	INC.	454652-3	LATCH	1	PC.
A08			196765-1	DUST EXTRACTOR ATTACHMENT SET	1	PC.
		INC.	453831-0	DUST NOZZLE C	1	PC.
		INC.	443177-2	FELT RING 37	1	PC.
A09			313248-8	ADAPTER A F/OTHER BRAND ACCESSORY - BULK - N/L/A	1	PC.
			313249-6	ADAPTOR F/DREMEL	1	PC.
A10			-----	18V LI-ION BATTERY		
A11			-----	BATTERY CHARGER		
A12			-----	LI-ION BATTERY ACCESSORIES		
A13			B-50706	TAPER JOINT CUTTER HCS 1-1/4" TMA043	1	PC.
A14			196271-6	ADAPTER A F/OTHER, PKG	1	PC.

SERVICE CHANGES

1. Changes on Sphere Bearing

(TI# B4983)

Item No.	Description	Type 1	Type 2
14	SPHERE BEARING 706	211392-4	210164-4

