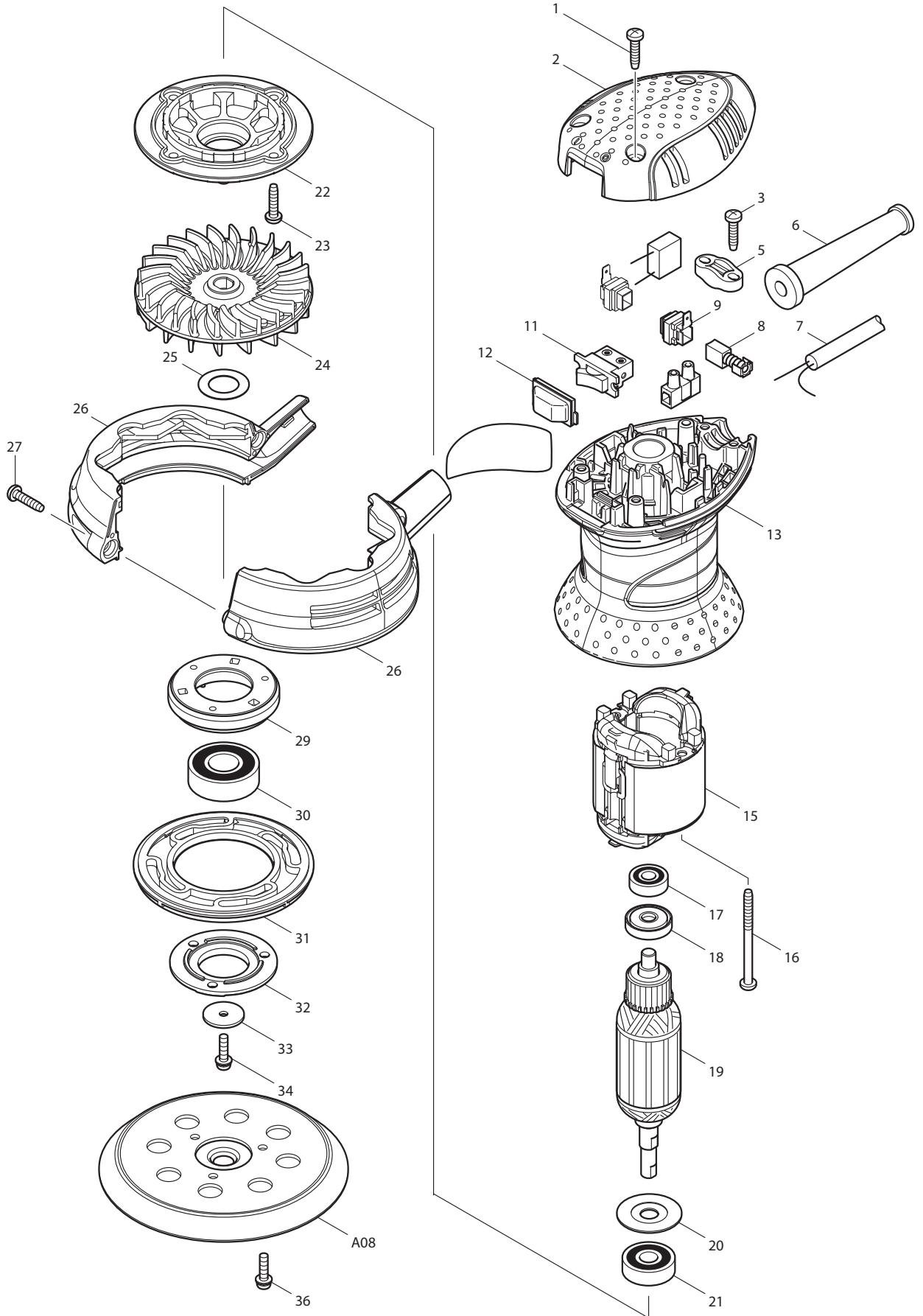




12 - 2009
BO5030 / BO5030K
5" RANDOM ORBIT SANDER



| Item No | Type | Ref | Part No | Description | Qty | Unit |
|--------------------|------|------|---|--|-----|------|
| 001 | 1 | | 265995-6 | TAPPING SCREW 4X18 | 3 | PC. |
| | 2 | | 265A48-7 | TAPPING SCREW 4X18 | 3 | PC. |
| 002 | | | 450071-1 | TOP COVER | 1 | PC. |
| 003 | 1 | | 265995-6 | TAPPING SCREW 4X18 | 2 | PC. |
| | 2 | | 265A48-7 | TAPPING SCREW 4X18 | 2 | PC. |
| 005 | | | 687063-9 | CORD CLAMP (STRAIN RELIEF) | 1 | PC. |
| 006 | | | 682502-4 | CORD GUARD 8-85 | 1 | PC. |
| 007 | | | 664002-6 | CORD W/PLUG 2P-18-2.0M, SJT | 1 | PC. |
| 007 | | | 660002-4 | CORD W/PLUG 2P-18-2.0M, SJ (OPTION) | 1 | PC. |
| 008 | 2 | | 195007-0 | CARBON BRUSH CB-407, 2PCS/SET (W/ ORIGIN) | 1 | SET |
| 009 | | | 643995-0 | BRUSH HOLDER | 2 | PC. |
| 011 | | | 651527-9 | SWITCH | 1 | PC. |
| 012 | | | 424039-3 | SWITCH COVER | 1 | PC. |
| 013 | | | 450671-7 | MOTOR HOUSING | 1 | PC. |
| 015 | | | 633671-4 | FIELD 115V | 1 | PC. |
| 016 | 2 | | 266415-3 | TAPPING SCREW 4X55 | 2 | PC. |
| 017 | | | 210017-7 | BALL BEARING 607DDW | 1 | PC. |
| 018 | | | 681652-2 | INSULATION WASHER | 1 | PC. |
| 019 | | | 515731-3 | ARMATURE ASS'Y 115V | 1 | PC. |
| | | INC. | | Item No. 17, 18, 20, 21 | | |
| 020 | | | 267806-1 | WASHER 9 | 1 | PC. |
| 021 | | | 211092-6 | BALL BEARING 629DDW | 1 | PC. |
| 022 | | | 450672-5 | BRACKET | 1 | PC. |
| 023 | 1 | | 265995-6 | TAPPING SCREW 4X18 | 4 | PC. |
| | 2 | | 265A48-7 | TAPPING SCREW 4X18 | 4 | PC. |
| 024 | | | 241673-2 | FAN 88 | 1 | PC. |
| 025 | | | 267164-5 | FLAT WASHER 15 | 1 | PC. |
| 026 | | | 188579-2 | SKIRT L/R SET | 1 | SET |
| 027 | 1 | | 265995-6 | TAPPING SCREW 4X18 | 2 | PC. |
| | 2 | | 265A48-7 | TAPPING SCREW 4X18 | 2 | PC. |
| 029 | | | 318304-9 | BEARING BOX | 1 | PC. |
| 030 | | | 211228-7 | BALL BEARING 6202DDW | 1 | PC. |
| 031 | | | 424131-5 | BRAKE RING | 1 | PC. |
| 032 | | | 318303-1 | BEARING BOX COVER | 1 | PC. |
| 033 | | | 253739-6 | FLAT WASHER 4 | 1 | PC. |
| 034 | | | 911128-8 | PAN HEAD SCREW M4X16 | 1 | PC. |
| 036 | | | 911128-8 | PAN HEAD SCREW M4X16 | 3 | PC. |
| 100 | | | 654069-2 | RECEPTACLE | 2 | PC. |
| 101 | | | 654558-7 | INSULATED CONNECTOR | 1 | PC. |
| ACCESSORIES | | | - See Catalogue or visit www.makita.ca for more accessories - | | | |
| A01 | | | 166078-4 | DUST BAG | 1 | PC. |
| A02 | | | 257202-1 | RING 25 | 1 | PC. |
| A03 | | | 416063-0 | DUST BAG NOZZLE | 1 | PC. |
| A04 | | | 416064-8 | DUST NOZZLE | 1 | PC. |
| A06 | 2 | | A-34235 | HOSE COMPLETE 28-1.5M SET W/FRONT CUFFS 22, 38 | 1 | PC. |
| A07 | | | P-80024 | JOINT 25 (F/DUST COLLECTOR) | 1 | PC. |
| A08 | | | 743081-8 | PAD 123, F/HOOK&LOOP | 1 | PC. |
| A09 | | | 824562-2 | PLASTIC CARRYING CASE | 1 | PC. |
| | | INC. | 416661-0 | LATCH | 2 | PC. |
| A10 | | | 135222-4 | DUST BAG ASSY | 1 | PC. |
| | | INC. | | Item No. A01 - A04 | 1 | PC. |
| A11 | | | 135246-0 | DUST BOX ASSY | 1 | PC. |
| A12 | | | 194746-9 | PAPER DUST BAG 5PC/SET | 1 | SET |
| A13 | | | 195133-5 | FILTER DUST BAG 5PC/SET | 1 | SET |
| C01 | | | 849565-5 | CARTON F/BO5030 | 1 | PC. |