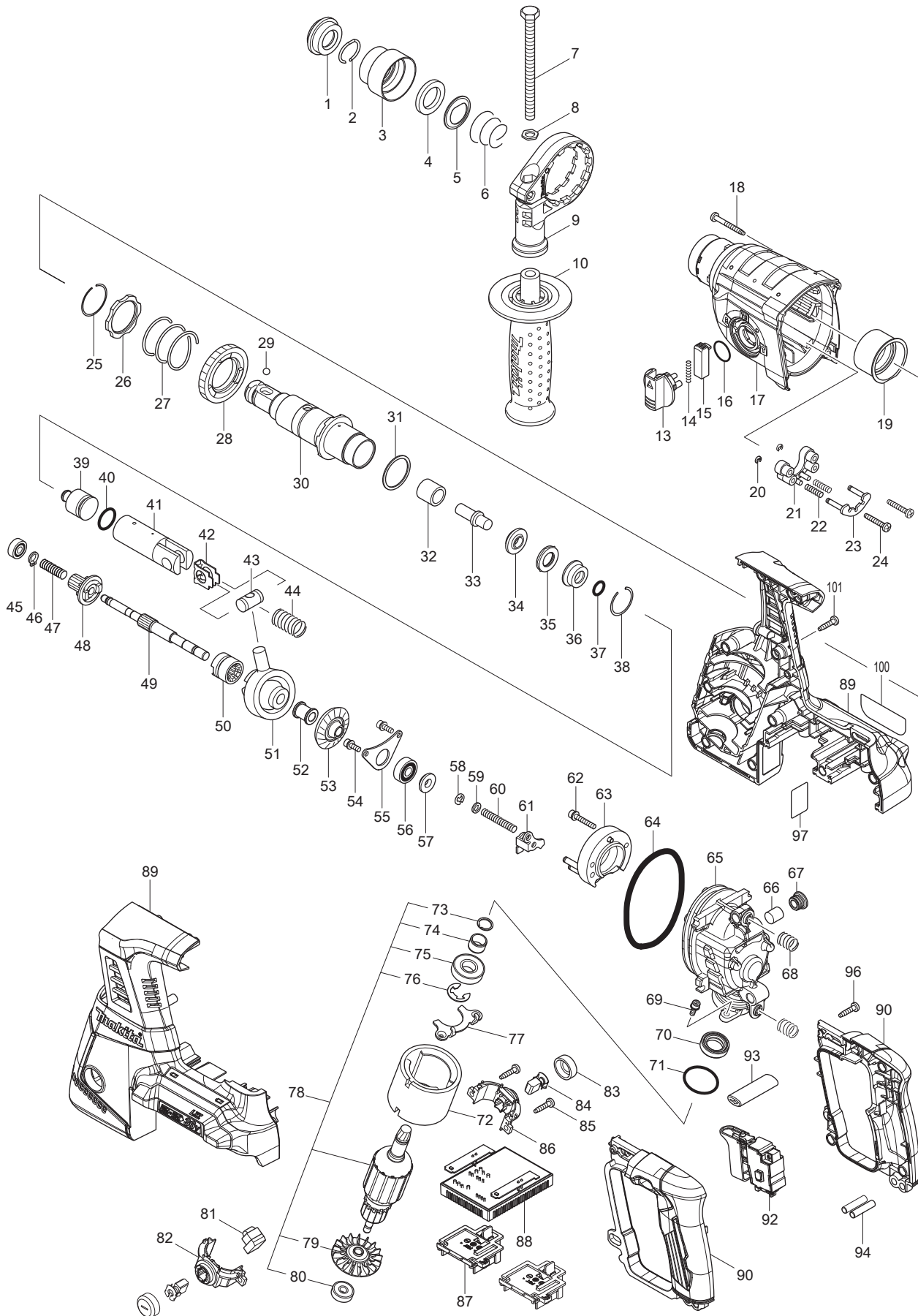




01 - 2014
DHR263PF2,DHR263Z
18V x 2 3-MODE ROTARY HAMMER



Item No	Type	Part No	Description	Qty	Unit
1		286263-4	CAP 35	1	PC.
2		233940-9	RING SPRING 19	1	PC.
3		417629-9	CHUCK COVER	1	PC.
4		257241-1	RING 21	1	PC.
5		345187-4	GUIDE WASHER	1	PC.
6		233916-6	CONICAL COMP. SPRING 21-29	1	PC.
7		921923-8	HEX. BOLT M8X120	1	PC.
8		345280-4	HEX. WASHER	1	PC.
9		417630-4	GRIP BASE	1	PC.
10		158057-6	GRIP 36 COMPLETE	1	PC.
13		450980-4	CHANGE LEVER	1	PC.
14		233279-0	COMPRESSION SPRING 4	1	PC.
15		453706-3	LOCK BUTTON	1	PC.
16		213278-8	O RING 17	1	PC.
17		158945-7	GEAR HOUSING COMPLETE	1	PC.
	INC.	213345-9	OIL SEAL 25	1	PC.
18		266560-4	TAPPING SCREW 4X40	4	PC.
19		153290-5	NEEDLE BEARING COMPLETE	1	PC.
20		961017-7	STOP RING E-3	2	PC.
21		417796-0	GUIDE BASE	1	PC.
22		233344-5	COMPRESSION SPRING 4	2	PC.
23		163430-7	LOCK PLATE COMPLETE	1	PC.
24		266374-1	TAPPING SCREW 4X25	2	PC.
25		233929-7	RING SPRING 29	1	PC.
26		267460-1	WASHER 31	1	PC.
27		233401-9	COMPRESSION SPRING 32	1	PC.
28		227109-5	SPUR GEAR 51	1	PC.
29		216022-2	STEEL BALL 7.0	1	PC.
30		158574-6	TOOL HOLDER COMPLETE	1	PC.
31		267229-3	FLAT WASHER 28	1	PC.
32		331769-8	SLEEVE 9	1	PC.
33		324669-9	IMPACT BOLT	1	PC.
34		324402-9	RING 10	1	PC.
35		421955-0	CUSHION RING 13	1	PC.
36		324216-6	O RING CASE	1	PC.
37		213073-6	O RING 9	1	PC.
38		233917-4	RING SPRING 28	1	PC.
39		326404-1	STRIKER	1	PC.
40		213227-5	O RING 16	1	PC.
41		318132-2	PISTON CYLINDER	1	PC.
42		346036-8	GUIDE PLATE	1	PC.
43		324215-8	PISTON JOINT	1	PC.
44		234098-7	COMPRESSION SPRING 14	1	PC.
45		211012-0	BALL BEARING 606ZZ	1	PC.
46		961003-8	RETAINING RING S-7	1	PC.
47		233343-7	COMPRESSION SPRING 7	1	PC.
48		227179-4	SPUR GEAR 10	1	PC.
49		325976-3	CAM SHAFT	1	PC.
50		331992-5	CLUTCH CAM	1	PC.
51		219014-0	SWASH BEARING 10	1	PC.
52		325640-6	SLEEVE 9	1	PC.
53		227549-7	SPIRAL BEVEL GEAR 26	1	PC.
54		266273-7	HEX. SOCKET HEAD BOLT M4X12	2	PC.
55		346038-4	BEARING RETAINER B	1	PC.
56		211032-4	BALL BEARING 608ZZ	1	PC.
57		324212-4	RING 8	1	PC.

Item No	Type	Part No	Description	Qty	Unit
58		961011-9	STOP RING E-4	1	PC.
59		941102-2	FLAT WASHER 5	1	PC.
60		233342-9	COMPRESSION SPRING 6	1	PC.
61		345220-2	CHANGE PLATE	1	PC.
62		922148-7	HEX. SOCKET HEAD BOLT M4X25	2	PC.
63		158944-9	INNER SUPPORT COMPLETE	1	PC.
64		213728-3	O-RING 68	1	PC.
65		318392-6	INNER HOUSING	1	PC.
66		443143-9	FILTER	1	PC.
67		424185-2	CAP	1	PC.
68		234097-9	COMPRESSION SPRING 10	2	PC.
69		266273-7	HEX. SOCKET HEAD BOLT M4X12	2	PC.
70		213231-4	OIL SEAL 15	1	PC.
71		213437-4	O RING 28	1	PC.
72		632828-4	YOKE UNIT	1	PC.
73		961082-6	RETAINING RING WR12	1	PC.
74		331596-3	SLEEVE 12	1	PC.
75		211131-2	BALL BEARING 6001DDW	1	PC.
76		961016-9	STOP RING E-10	1	PC.
77		346037-6	BEARING RETAINER A	1	PC.
78		519235-7	ARMATURE ASS'Y 36V	1	PC.
	INC.		Item No. 73-76,79,80		
79		240037-7	FAN 44	1	PC.
80		210022-4	BALL BEARING 626DDW	1	PC.
81		620281-6	LIGHT CIRCUIT	1	PC.
82		644507-2	BRUSH HOLDER	1	PC.
83		643829-7	HOLDER CAP	2	PC.
84		195023-2	CARBON BRUSH CB-442 2PC/SET (W/ ORIGIN)	1	SET
85		266326-2	TAPPING SCREW 4X18	2	PC.
86		644508-0	BRUSH HOLDER	1	PC.
87		644808-8	TERMINAL	2	PC.
88		620280-8	CONTROLLER	1	PC.
89		187834-9	HOUSING SET	1	SET
	INC.	263005-3	RUBBER PIN 6	8	PC.
	INC.	263025-7	RUBBER PIN 4	4	PC.
	INC.	346783-1	PLATE	4	PC.
	INC.	803F15-0	INDICATION LABEL	1	PC.
	INC.	803F13-4	CAUTION LABEL	1	PC.
90		187771-7	HANDLE SET	1	SET
92		650721-0	SWITCH	1	PC.
93		454980-6	F/R CHANGE LEVER	1	PC.
94		256261-2	PIN 6	2	PC.
96		266326-2	TAPPING SCREW 4X18	4	PC.
97		815K28-9	DHR263 SERIAL NO. LABEL	1	PC.
100		815K11-6	NAME PLATE F/DHR263	1	PC.
101		266326-2	TAPPING SCREW 4X18	10	PC.
D01		652045-0	(+) PAN HEAD SCREW M3.5X5	2	PC.
D02		654510-5	INSULATED CONNECTOR 5.5-SD	2	PC.
D03		654037-5	INSULATED TERM. FT1.25-M3	2	PC.

Item No	Type	Part No	Description	Qty	Unit
ACCESSORIES		- See Catalogue or visit www.makita.ca for more accessories -			
A01		194683-7	GREASE VESSEL SET(F/BIT)	1	PC.
A02		324219-0	DEPTH GAUGE	1	PC.
A03		443122-7	CLOTH	1	PC.
A04		-----	BATTERY CHARGER		
A05		-----	18V LI-ION BATTERY		
A06		-----	LI-ION BATTERY ACCESSORIES		
A07		D-14093	CHUCK ADAPTER (SDS-PLUS)	1	PC.
A08		122574-2	1/2" DRILL CHUCK ATTACHMENT, SDS-PLUS	1	PC.
		122823-7	1/2" KEYLESS DRILL CHUCK ATTACHMENT, SDS-PLUS	1	PC.
A09		191686-2	SAFETY GOGGLE	1	PC.
A10	1	192278-0	HOSE COMPLETE 28-1.5, UNI	1	PC.
	2	A-34235	HOSE COMPLETE 28-1.5M SET W/FRONT CUFFS 22, 38	1	PC.
A12		P-80015	DUST EXTRACTOR ATTACHMENT	1	PC.
A13		194582-3	GRIP BASE SET	1	PC.
	INC.	122809-1	SPACER 20 ASSY	1	PC.
	INC.	419975-6	GRIP BASE 20	1	PC.
	INC.	921919-9	HEX BOLT M8X10	1	PC.
A14		188088-1	HAMMER GREASE 30G	1	PC.
A15		421342-3	DUST CUP 5	1	PC.
A16		421664-1	DUST CUP 9	1	PC.
A17		421755-8	WATERPROOF COVER	1	PC.
A19		763432-9	CHUCK KEY S13	1	PC.
A20		765009-6	BLOW-OUT BULB 64	1	PC.
A21		194580-7	DUSTCUP SET	1	PC.
A22		195189-8	HAMMER SERVICE KIT	1	PC.
	INC.	195023-2	CARBON BRUSH CB-442 2PC/SET (W/ ORIGIN)	1	SET
	INC.	195127-0	MAKITA GREASE RB NO.00 30G	2	PC.
	INC.	213073-6	O RING 9	1	PC.
	INC.	213227-5	O RING 16	1	PC.
	INC.	216022-2	STEEL BALL 7.0	1	PC.
	INC.	233917-4	RING SPRING 28	1	PC.
	INC.	286263-4	CAP 35	1	PC.
	INC.	421955-0	CUSHION RING 13	1	PC.
A23		142551-8	PLASTIC CARRYING CASE	1	PC.
		831278-2	LXT TOOL BAG, BLUE	1	PC.