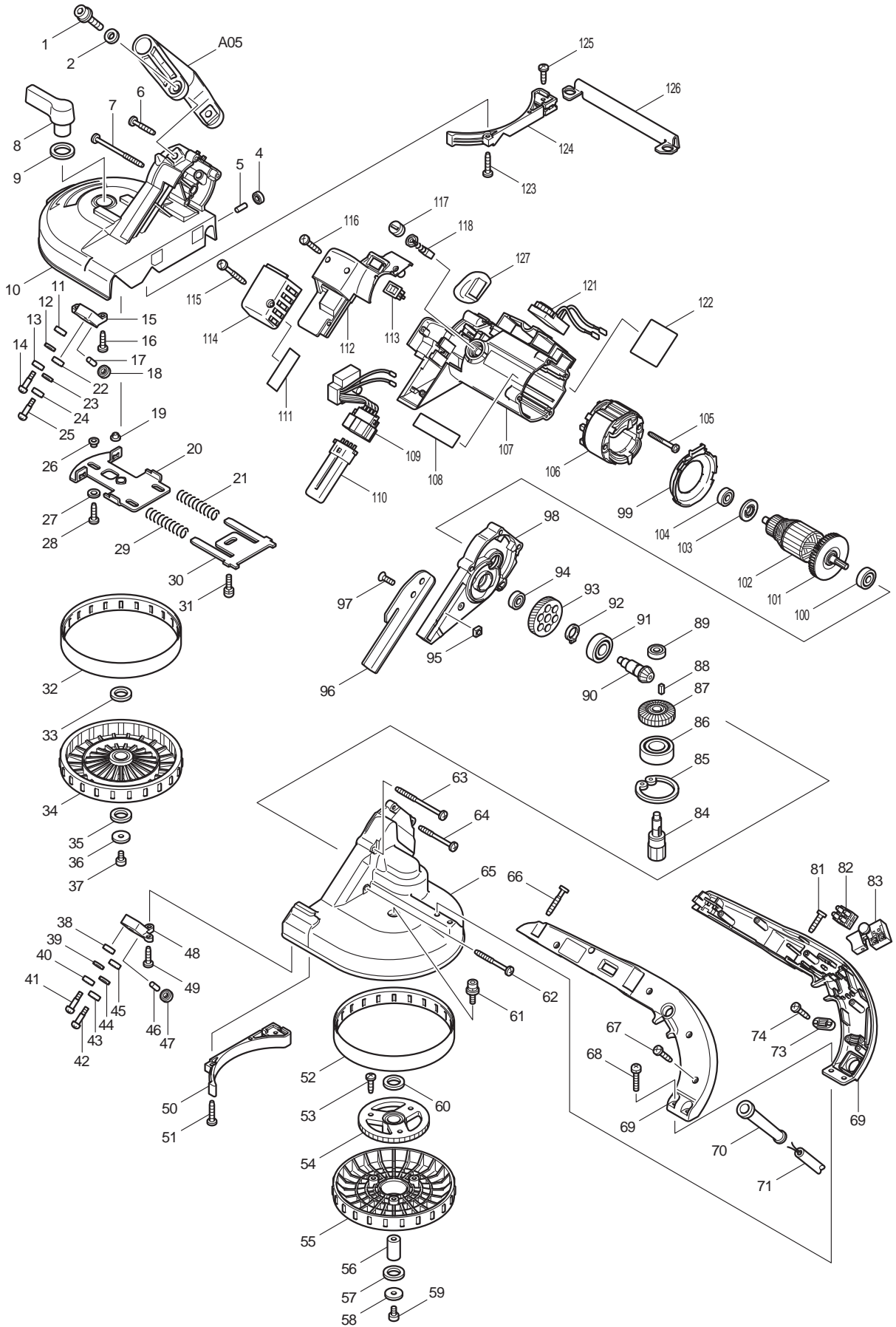




10 - 2010

2107FK

PORTABLE BAND SAW W/ CASE



Item No.	Type	Sub	Part No.	Description	Qty	Unit
1			922456-6	HEX. SOCKET HEAD BOLT M8X35	2	PC.
2			941202-8	FLAT WASHER 8	1	PC.
4	2		143517-1	* BLADE GUIDE COMPLETE	1	PC.
5	2		268225-4	* PIN 5	1	PC.
6			265999-8	TAPPING SCREW 4X25	2	PC.
7			266147-2	TAPPING SCREW 4X55	2	PC.
8			272223-2	LEVER 60	1	PC.
9			267041-1	FLAT WASHER 20	1	PC.
10	3		158703-1	FRONT WHEEL COVER COMPLETE	1	PC.
		INC.	816212-3	INDICATIONAL LABEL	1	PC.
11			210033-9	BALL BEARING 696ZZ	1	PC.
12			941152-7	FLAT WASHER 6	1	PC.
13			210033-9	BALL BEARING 696ZZ	1	PC.
14			251337-0	+ PAN HEAD SCREW K5	1	PC.
15			317824-0	UPPER HOLDER	1	PC.
16			266034-5	TAPPING SCREW CT 4X16	2	PC.
17			256033-5	PIN 6	1	PC.
18			210033-9	BALL BEARING 696ZZ	1	PC.
19			343494-9	SLEEVE 5	1	PC.
20			163276-1	SLIDE PLATE	1	PC.
21			231449-5	COMPRESSION SPRING 11	1	PC.
22			210033-9	BALL BEARING 696ZZ	1	PC.
23			941152-7	FLAT WASHER 6	1	PC.
24			210033-9	BALL BEARING 696ZZ	1	PC.
25			251337-0	+ PAN HEAD SCREW K5	1	PC.
26			343494-9	SLEEVE 5	3	PC.
27			941051-3	FLAT WASHER 4	3	PC.
28			266034-5	TAPPING SCREW CT 4X16	3	PC.
29			231449-5	COMPRESSION SPRING 11	1	PC.
30			343489-2	TENSION PLATE	1	PC.
31			911221-8	PAN HEAD SCREW M5X16	1	PC.
32			421333-4	RUBBER TIRE	1	PC.
33			253749-3	FLAT WASHER 16	1	PC.
34	1		152325-9	WHEEL COMPLETE	1	PC.
	2		140B58-0	WHEEL COMPLETE	1	PC.
35			253749-3	FLAT WASHER 16	1	PC.
36			253010-8	FLAT WASHER 6	1	PC.
37			922312-0	HEX. SOCKET HEAD BOLT M6X12	1	PC.
38			210033-9	BALL BEARING 696ZZ	1	PC.
39			941152-7	FLAT WASHER 6	1	PC.
40			210033-9	BALL BEARING 696ZZ	1	PC.
41			251337-0	+ PAN HEAD SCREW K5	1	PC.
42			251337-0	+ PAN HEAD SCREW K5	1	PC.
43			210033-9	BALL BEARING 696ZZ	1	PC.
44			941152-7	FLAT WASHER 6	1	PC.
45			210033-9	BALL BEARING 696ZZ	1	PC.
46			256033-5	PIN 6	1	PC.
47			210033-9	BALL BEARING 696ZZ	1	PC.
48			317823-2	LOWER HOLDER	1	PC.
49			266034-5	TAPPING SCREW CT 4X16	2	PC.
50			418784-0	SAW GUARD HOLDER	1	PC.
51			266042-6	TAPPING SCREW BIND CT 4X20	2	PC.
52			421333-4	RUBBER TIRE	1	PC.
53			266021-4	TAPPING SCREW 5X20	3	PC.
54	2		140140-3	GEAR COMPLETE	1	PC.
55	2		419506-1	WHEEL	1	PC.

Item No.	Type	Sub	Part No.	Description	Qty	Unit
56			324513-0	LOWER SHAFT	1	PC.
57			253749-3	FLAT WASHER 16	1	PC.
58			253010-8	FLAT WASHER 6	1	PC.
59			922312-0	HEX. SOCKET HEAD BOLT M6X12	1	PC.
60			253749-3	FLAT WASHER 16	1	PC.
61			922323-5	HEX.SOCKET HEAD BOLT M6X16	1	PC.
62			266203-8	TAPPING SCREW BIND CT 4X40	1	PC.
63			266147-2	TAPPING SCREW 4X55	2	PC.
64			266048-4	TAPPING SCREW 4X40	2	PC.
65	1		317847-8	REAR WHEEL COVER	1	PC.
	2		317947-4	REAR WHEEL COVER	1	PC.
66			265995-6	TAPPING SCREW 4X18	2	PC.
67			265995-6	TAPPING SCREW 4X18	5	PC.
68			911243-8	PAN HEAD SCREW M5X25	2	PC.
69			183870-3	HANDLE SET	1	SET
70			682572-3	CORD GUARD 8	1	PC.
71			664064-4	CORD W/PLUG 2P-18-2.5M, SJ	1	PC.
73			687063-9	CORD CLAMP (STRAIN RELIEF)	1	PC.
74			265995-6	TAPPING SCREW 4X18	2	PC.
81			266042-6	TAPPING SCREW BIND CT 4X20	2	PC.
82			654531-7	TERMINAL BLOCK 2P	1	PC.
83			651284-9	SWITCH SGEL115CDY-6	1	PC.
84			227139-6	SPUR GEAR 8	1	PC.
85			962203-3	RETAINING RING R-47	1	PC.
86			211306-3	BALL BEARING 6204LLB	1	PC.
87			227470-0	SPIRAL BEVEL GEAR 29	1	PC.
88			254202-2	KEY 4	1	PC.
89	2		210029-0	BALL BEARING 608ZZ	1	PC.
90			227481-5	SPIRAL BEVEL GEAR 11	1	PC.
91	2		211241-5	BALL BEARING 6202DDW	1	PC.
92			961055-9	RETAINING RING S-15	1	PC.
93			226593-1	HELICAL GEAR 64	1	PC.
94	2		210029-0	BALL BEARING 608ZZ	1	PC.
95			252157-5	SQUARE NUT M6	2	PC.
96			345467-8	STOPPER PLATE	1	PC.
97			251981-3	HEX. SOCKET HEAD BOLT M6X16	2	PC.
98			154475-6	GEAR HOUSING COMPLETE	1	PC.
99			418785-8	BAFFLE PLATE	1	PC.
100			211092-6	BALL BEARING 629DDW (OLD# 210078-7)	1	PC.
101			241850-6	FAN 60	1	PC.
102			513581-0	ARMATURE ASS'Y 115V	1	PC.
		INC.		Item No. 100,101,103,104		
103			681644-1	INSULATION WASHER	1	PC.
104	2		210029-0	BALL BEARING 608ZZ	1	PC.
105			266056-5	TAPPING SCREW 5X45	2	PC.
106			594516-0	FIELD ASS'Y 115V	1	PC.
		INC.	654020-2	RING TERMINAL	2	PC.
		INC.	654501-6	CONNECTOR P-1.25	2	PC.
107	2		154472-2	MOTOR HOUSING COMPLETE	1	PC.
		INC.	643708-9	BRUSH HOLDER 5-11	2	PC.
108			819064-1	MAKITA MARK (Old)	1	PC.
109			631640-9	LIGHT CIRCUIT	1	PC.
110			193595-1	FLUORESCENT LIGHT SET	1	PC.
111			418850-3	LENZ	1	PC.
112			418782-4	LAMP COVER	1	PC.
113			651514-8	SWITCH SLE6A	1	PC.
114			418783-2	LAMP BOX	1	PC.
115			266048-4	TAPPING SCREW 4X40	1	PC.

Item No.	Type	Sub	Part No.	Description	Qty	Unit
116			265935-4	TAPPING SCREW 3X20	3	PC.
117	2		643515-0	HOLDER CAP 7-11	2	PC.
118	2		194996-6	CARBON BRUSH CB-303 2PC/SET (W/ ORIGIN)	1	SET
121			631638-6	CONTROLLER	1	PC.
122			860922-4	NAME PLATE F/2107FK	1	PC.
123			266042-6	TAPPING SCREW BIND CT 4X20	2	PC.
124			418784-0	SAW GUARD HOLDER	1	PC.
125			266034-5	TAPPING SCREW CT 4X16	1	PC.
126	1		345468-6	SAW GUARD	1	PC.
	2		346669-9	SAW GUARD	1	PC.
127			421885-5	CAP	1	PC.
129			123497-7	BLADE GUIDE ASSEMBLY (Added)	1	PC.
		INC.		Item No. 4, 5 (Type 2)		
200			911213-7	PAN HEAD SCREW M5X12	4	PC.
201			168413-2	FRONT BUMPER	1	PC.
202			168412-4	REAR BUMPER	1	PC.
203			345614-1	HOOK	1	PC.
<u>ACCESSORIES</u>			- Visit www.makita.ca for more accessories information -			
A01			410048-8	WRENCH HOLDER 3.4	1	PC.
A02	2		792559-A	BAND SAW BLADE 18 (C.STEEL)	1	SET
A03			783202-0	HEX. WRENCH 4	1	PC.
A04			824728-4	PLASTIC CARRYING CASE	1	PC.
		INC.	163455-1	LATCH	2	PC.
		INC.	419360-3	HANDLE TYPE2 (TYPE1 # 418889-6)	1	PC.
		INC.	819140-1	MAKITA LOGO LABEL	1	PC.
A05			273614-0	GRIP (D-Style Front Handle)	1	PC.
A09			762001-3	TRIANGLE	1	PC.
A10			191897-9	CUTTING WAX	1	PC.
A11			194026-3	BAND SAW STAND (See #194026-3 Parts breakdown)	1	PC.
A12	2		196325-9	WHEEL COVER SET	1	PC.

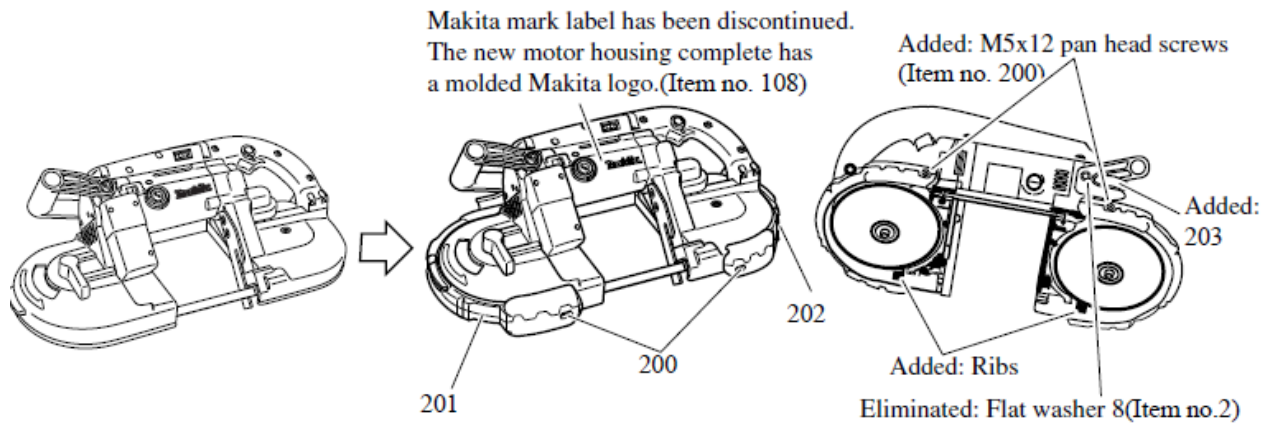
SERVICE CHANGES

1. Changes on Front Wheel Cover Com., Rear Wheel Cover, Motor Housing, etc.

(TI#72363)

(TI#80584)

Item No.	Description	Type 1	Type 2	Type 3
2	Flat Washer 8	941202-8 (2pcs.)	941202-8 (1pcs.)	
10	Front Wheel Cover Com.	154482-9	154658-8	158703-1
65	Rear Wheel Cover	317847-8	317947-4	
107	Motor Housing	183941-6	154472-2	
108	Makita Mark Label	819064-1	-----	
200	P.H.Screw M5x12	-----	911213-7	
201	Front Bumper	-----	168413-2	
202	Rear Bumper	-----	168412-4	
203	Hook	-----	345614-1	



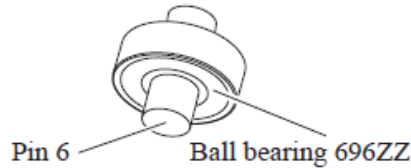
2. Changes on Ball bearing 696ZZ and Pin 6

(TI#A8963)

Item No.	Description	Type 1	Type 2
1	BALL BEARING 696ZZ >BLADE GUIDE COMPLETE	210033-9	143517-1
2	PIN 6 > PIN 5	256033-5	268225-4

Above parts are completely interchangeable as a set.

Type 1



Type 2

