

INNOVATION AT WORK



**COMPUTORQ3
ELECTRONIC TORQUE WRENCH**
Simple to use. Sleek new design.
See Page 2

**TOOLBOXES
AND BAGS**
*Perfect for
organizing
tools*
See Page 4



NEW!
**RATCHETING
COMBINATION
WRENCHES**
*Ratcheting gear
minimizes swing
arc in tight places*
See Page 8



ERGONOMIC HAND TOOLS
*We use a scientific approach to
develop ergonomic hand tools*
See Pages 8 - 9



CDI TORQUE PRODUCTS COMPUTORQ 3 ELECTRONIC TORQUE WRENCHES

The **COMPUTORQ 3** Electronic Torque Wrench is a simple to use digital readout wrench that displays real time torque values in any of four torque units, ft.lbs., in.lbs., Nm, kg.cm. Simply set the desired torque value and apply force until the green LED illuminates. Great for light industrial, automotive, motorcycle, watercraft and aircraft applications.

Product Code	Description	List Price:	Sale Price:
2401CI3	1/4" Drive 24-240 ft. lb.	\$610.20	\$261.50
2401CI3HA	1/4" Drive 24-240 ft. lb.	\$815.20	\$349.35
HIGH ACCURACY			
1002CF3	3/8" Drive 10-100 ft. lb.	\$658.75	\$282.35
1002CF3HA	3/8" Drive 10-100 ft. lb.	\$863.80	\$370.20
HIGH ACCURACY			
2503CF3	1/2" Drive 25-250 ft. lb.	\$770.60	\$330.25
2503CF3HA	1/2" Drive 25-250 ft. lb.	\$975.90	\$418.25
HIGH ACCURACY			

The certification of accuracy provided per ASME and ISO Standards is 20% to 100% of full scale.



HIGH ACCURACY MODELS AVAILABLE

***HIGH ACCURACY**
1% Clockwise direction only.
It couldn't be easier to use!



Features

- Sleek new design
- 15-degree flex ratcheting head
- Push button socket release head
- Large, easy to read digital display
- Long battery life, uses 2 each CR123 lithium batteries
- Ergonomically designed molded non-slip rubber grip
- Torques in both clockwise and counterclockwise directions
- Battery saving auto-shutoff after two minutes
- COMPUTORQ 3 remembers last unit and torque setting selected
- Audible tone sounds when set torque value is reached, if the set torque value is exceeded, an alarm tone will sound.
- 3 color LED light bar
YELLOW LED indicates approaching desired torque setting
GREEN LED indicates desired torque value is reached
RED LED indicates fastener was over torqued, loosen and re-tighten.
- When desired torque value is reached, display will hold value and flash for ten seconds.
- COMPUTORQ 3 will operate in any of four torque units, foot pounds (ft. lbs.), inch pounds (in. lbs.), newton meter (Nm) or kilogram centimeter (kg. cm.).
- ACCURACY:
±2% CW of readings from 20% to 100% of full scale
±3% CCW of readings from 20% to 100% of full scale
• N.I.S.T. traceable certificate of calibration included

CDI TORQUE PRODUCTS TORQUE SCREWDRIVERS - MICRO-ADJUSTABLE

Adjustable models offer versatility for applications that require more than one torque value. These torque screwdrivers are particularly suited for the electronics industry and for instrument assembly work. A simple, cam-over design prevents over-tightening and possible damage to components. Torque settings are easily and accurately changed with a unique adjusting knob and easy-to-read window scale. Adjusting the screwdriver is simple. Just pull out the adjusting knob to unlock, turn to the desired setting, then push the knob in until it clicks!

Product Code	Torque Range	Increments	W x L (inches)	Weight (oz.)	List Price:	Sale Price:
61SM	20 - 100 in. ozs.	1 in. oz.	1.1 x 5.5	6.8	\$321.00-	\$137.55
151SM	3 - 15 in. lbs.	.2 in. lbs.	1.1 x 6.25	8.0	\$328.80-	\$140.90
401SM	5 - 40 in. lbs.	.5 in. lbs.	1.2 x 6.75	10.8	\$336.65-	\$144.30
61NSM	10 - 80 cNm	1 cNm	1.1 x 5.5	6.8	\$321.00-	\$137.55
151NSM	40 - 200 cNm	2 cNm	1.1 x 6.25	8.0	\$328.80-	\$140.90
401NSM	50 - 450 cNm	5 cNm	1.2 x 6.75	10.8	\$336.65-	\$144.30



61SM

CDI TORQUE PRODUCTS TORKY - SINGLE SETTING WRENCHES

CDI's **TORKY** is a right angle pre-set torque wrench. Torky is designed for production torque applications that require higher values than a torque screwdriver can deliver. The comfortable design eases the strain of repeated uses. Torque value may be ordered factory pre-set at an additional charge or it may be easily set by the operator with any quality torque calibration system. When the proper torque value is reached, a momentary release or "break" can be felt. Available in three drive styles to fit most needs.

TORKY - SINGLE SETTING WRENCHES

Product Code	Drive	Torque Range	W x L (inches)	Weight (oz.)	List Price:	Sale Price:
1501TP-1	1/4" Male Square	20-170 in.lbs.	1 x 5.25	8.3	\$244.70-	\$104.85
1501TPA-1	1/4" Female Hex	20-170 in.lbs.	1 x 5.25	8.3	\$225.50-	\$96.65
1502TP-1	3/8" Male Square	20-170 in.lbs.	1 x 5.25	8.3	\$252.90-	\$108.40



Prevents premature wear of carbide inserts and damage to cutter head due to improper clamp load.

Features

- Factory Pre-Set models are set at the factory to the customer's specified torque setting and are furnished with a Certificate of Calibration
- Please specify desired torque setting when order is placed
- Three models available
- Simple, easy to use design
- Ruggedly built for years of reliable service
- Operates bi-directionally
- Accuracy: ± 6% of indicated value, CW, from 20% to 100% of full scale



MICROMETER ADJUSTABLE NEWTON METER TORQUE WRENCHES - SINGLE SCALE

Metal Handle Single Scale. The metal handle series offers the user a rugged, industrial strength torque wrench able to withstand the rigors of professional use. Handles are lightly knurled for a tough, non-slip grip.

Product Code	Nm Range	Sq. Drive	Incr.	List Price:	Sale Price:
602NMRMHSS	10-60 Nm	3/8"	0.5	\$271.40	\$116.35
1002NMRMHSS	20-100 Nm	3/8"	0.5	\$271.40	\$116.35
2003NMRMHSS	40-200 Nm	1/2"	2	\$312.05	\$133.80
3403NMRMHSS	60-340 Nm	1/2"	2	\$337.95	\$144.85
8004NMRMHSS	150-800 Nm	3/4"	5	\$1,087.95	\$466.30
15005NMRMHSS*	300-1500 Nm	1"	10	\$2,508.50	\$1,075.15

*NOTE: 15005NMRMHSS supplied with one extension handle and is packed in a metal box.
NOTE: All single scale Newton Meter only.



FLEX-HEAD MICROMETER ADJUSTABLE TORQUE WRENCH

Product Code	Drive Size	Range	Increments	Ratchet	List Price:	Sale Price:
802MFRFMHSS	3/8"	10-80 ft. lb.	0.5	Flex-Head	\$293.75	\$125.90



MICROMETER ADJUSTABLE TORQUE WRENCHES - DUAL SCALE

Metal Handle Dual Scale. The metal handle series offers the user a rugged, industrial strength torque wrench able to withstand the rigors of professional use. Handles are lightly knurled for a tough, non-slip grip.

Product Code	Drive Size	English Range	Incr.	Nm Range	Incr.	List Price:	Sale Price:
501MRMH	1/4"	10-50 in. lb.	0.5	1.4 - 5.4 Nm	0.5	\$249.75	\$107.05
1501MRMH	1/4"	20-150 in. lb.	0.5	2.8-15.3 Nm	0.12	\$249.40	\$106.90
1502MRMH	3/8"	20-150 in. lb.	1	2.8 - 15.3 Nm	.12	\$249.75	\$107.05
2002MRMH	3/8"	30-200 in. lb.	1	4.0 - 22.0 Nm	.12	\$249.75	\$107.05
2502MRMH	3/8"	30-250 in. lb.	1	4.0 - 27.7 Nm	.12	\$257.85	\$110.50
7502MRMH	3/8"	100-750 in. lb.	5	14.1 - 81.9 Nm	.6	\$271.40	\$116.30
10002MRMH	3/8"	150-1000 in. lb.	5	19.8 - 110.2 Nm	.6	\$271.40	\$116.30
25003MRMH	1/2"	300-2500 in. lb.	10	39.6 - 276.9 Nm	1.2	\$328.45	\$140.75
752MFRMH	3/8"	5-75 ft. lb.	0.5	10.2 - 98.3 Nm	.7	\$271.40	\$116.30
1002MFRMH	3/8"	10-100 ft. lb.	0.5	16.9 - 132.2 Nm	.7	\$271.40	\$116.30
1503MFRMH	1/2"	20-150 ft. lb.	1	34 - 197 Nm	1.4	\$312.05	\$133.75
2503MFRMH	1/2"	30-250 ft. lb.	1	47 - 332 Nm	1.4	\$337.95	\$144.85
4004MFRMH	3/4"	80-400 ft. lb.	5	85 - 491 Nm	3.4	\$1,037.65	\$444.70
6004MFRMH	3/4"	100-600 ft. lb.	5	169 - 779 Nm	6.8	\$1,087.95	\$466.25
10005MFRMH*	1"	200-1000 ft. lb.	5	305 - 1322 Nm	6.8	\$2,508.50	\$1,075.05
20005MFRMHSS**	1"	300-2000 ft. lb.	10	N/A	N/A	\$5,251.65	\$2,250.70

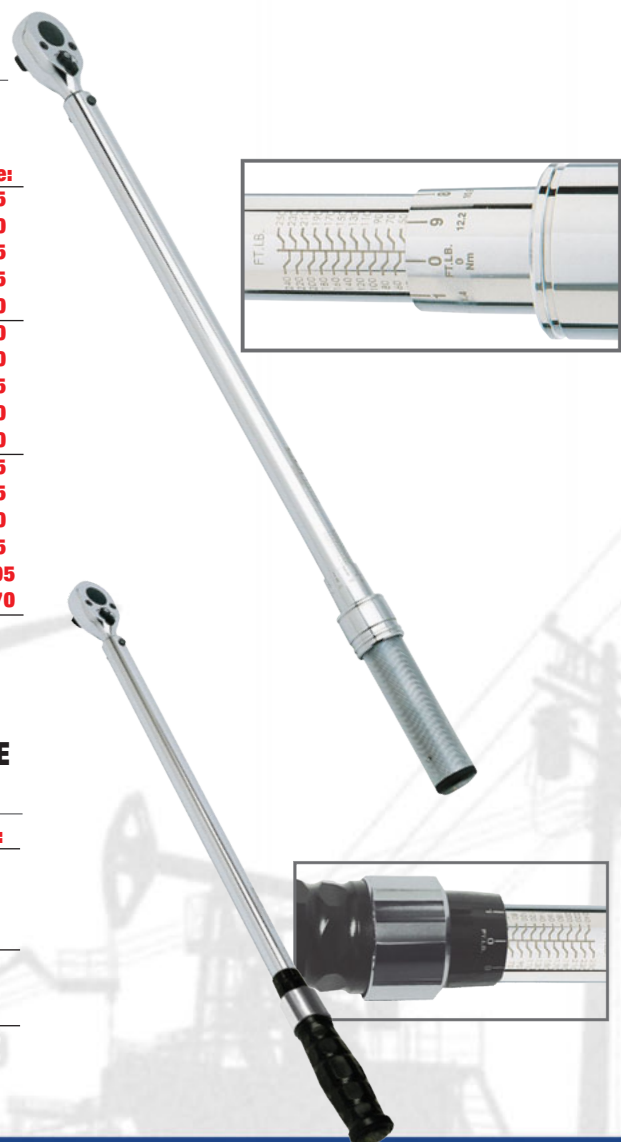
*NOTE: 10005MFRMH supplied with one extension handle and is packed in a metal box.

**NOTE: 20005MFRMHSS (English scale only) supplied with two extension handles, fixed/non-ratcheting head and is packed in a sturdy cardboard box.



COMFORT GRIP MICROMETER ADJUSTABLE TORQUE WRENCHES - DUAL SCALE

Product Code	Drive Size	English Range	Incr.	Nm Range	Incr.	List Price:	Sale Price:
1501MRPH	1/4"	20-150 in. lb.	1	2.8 - 15.3 Nm	.12	\$249.75	\$107.05
2502MRPH	3/8"	30-250 in. lb.	1	4.0 - 27.7 Nm	.12	\$257.85	\$110.50
10002MRPH	3/8"	150-1000 in. lb.	5	19.8 - 110.2 Nm	.6	\$271.40	\$116.30
1002MFRPH	3/8"	10-100 ft. lb.	1	16.9 - 132.2 Nm	.7	\$271.40	\$116.35
1503MFRPH	1/2"	20-150 ft. lb.	1	34 - 197 Nm	1.4	\$312.05	\$133.75
2503MFRPH	1/2"	30-250 ft. lb.	1	47 - 332 Nm	1.4	\$337.95	\$144.85
6004MFRPH	3/4"	100-600 ft. lb.	5	169 - 779 Nm	6.8	\$1,087.95	\$466.25



See complete product listing at snapon.com/industrialbrands



TOOL BAGS & TOTES

- 600 Denier polyester prevents the bag from damage and provides flexibility and is lightweight.
- Plastic hard bottom and double stitching reinforcement is 100 % waterproof and easy to clean.
- Heavy duty PVC zippers makes closing and opening quick and easy.



19" OPEN BAG WITH HARD BOTTOM

List Price: ~~-\$104.40~~ **Sale Price: \$44.75**

4750FB1-19A



19" OPEN BAG WITH LUX HARD BOTTOM

List Price: ~~-\$131.96~~ **Sale Price: \$56.55**

4750FB1-19B



19" CLOSED BAG WITH HARD BOTTOM

List Price: ~~-\$84.14~~ **Sale Price: \$36.05**

4750FB2-19A



24" CLOSED BAG WITH HARD BOTTOM

List Price: ~~-\$119.00~~ **Sale Price: \$51.00**

4750FB2-24A



LAPTOP & TOOLS BAG WITH HARD BOTTOM

List Price: ~~-\$145.95~~ **Sale Price: \$62.55**

4750FB4-18



24" CLOSED BAG ON WHEELS

List Price: ~~-\$238.49~~ **Sale Price: \$102.20**

4750FB2W-24A



12" ELECTRICIAN BAG WITH HARD BOTTOM

List Price: ~~-\$97.10~~ **Sale Price: \$41.60**

4750FB3-12



SMALL TOOL ORGANIZER

List Price: ~~-\$14.05~~ **Sale Price: \$6.05**

4750FB5A



MEDIUM TOOL ORGANIZER

List Price: ~~-\$23.79~~ **Sale Price: \$10.20**

4750FB5B



LARGE TOOL ORGANIZER

List Price: ~~-\$30.29~~ **Sale Price: \$13.00**

4750FB5C



PLASTIC TOOL BOXES

- Heavy duty boxes made of virgin polypropylene are resistant to hot and cold temperatures.
- Strong and sturdy boxes, 2 mm thick, can take high load capacity, even allowing the user to stand on them.
- Metallic latches are galvanized making them durable and rust resistant. Pad lock can be added to the box.



4750PTB50

19.7" x 11.6" x 10.6" TOOL TOTE

List Price: ~~-\$58.04~~ **Sale Price: \$24.90**



4750PTB60

23.6" x 12" x 11.6" TOOL TOTE

List Price: ~~-\$69.78~~ **Sale Price: \$29.90**



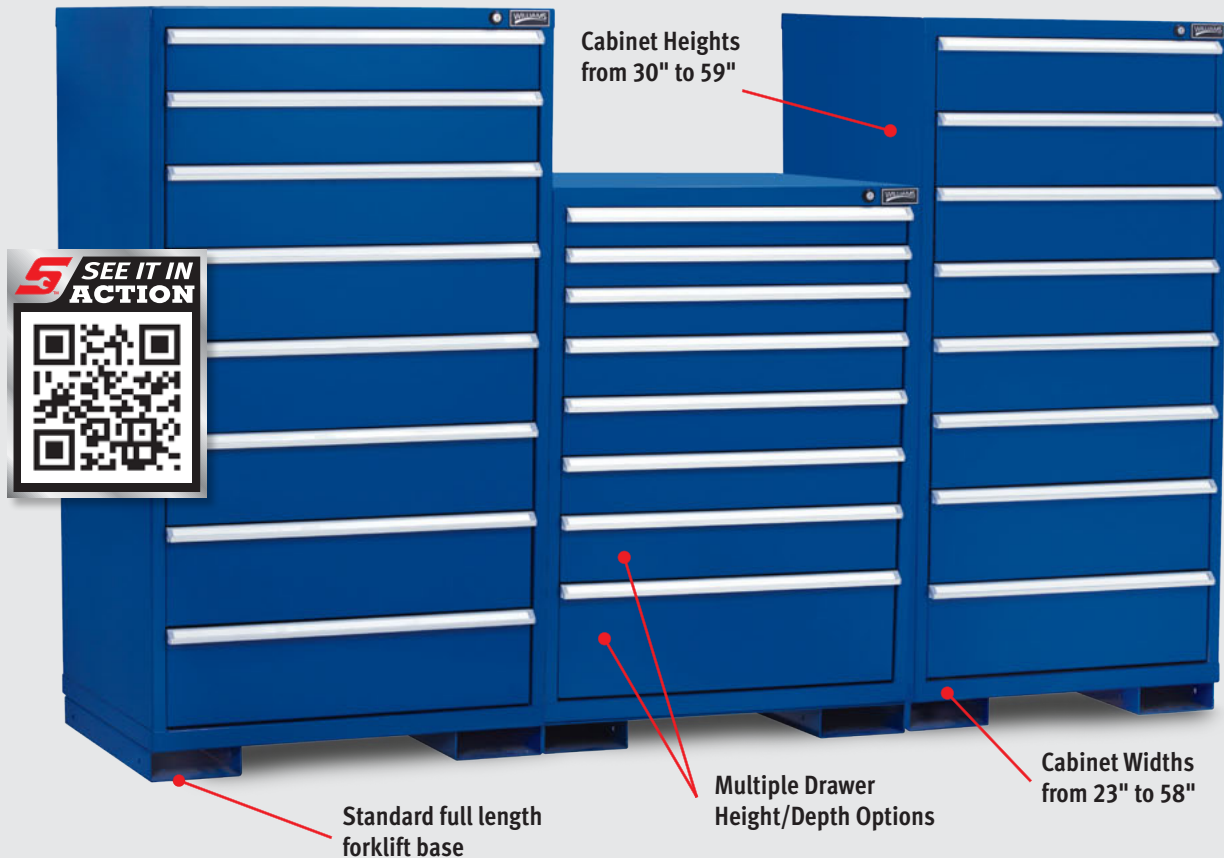
4750PTBW47

TOOL TOTE ON WHEELS

List Price: ~~-\$97.28~~ **Sale Price: \$41.70**



MODULAR INDUSTRIAL STORAGE



UNPRECEDENTED STORAGE OPTIONS TO ACCOMMODATE ANY STORAGE NEED

The Williams® Modular Industrial Storage Program is designed, engineered and built specifically for industrial settings, processes, and systems. Heavy-duty steel construction, innovative safety and security features, and workplace-specific configurations provide for customizable, scalable storage that meets even the most complex needs.

WORK SURFACES

Available in a variety of shapes and materials.



COLOR OPTIONS



100% View Drawer Extension



Full-Width Aluminum Handles with Safety Overlap and 45° Angle



SWP Plus Series - 32-1/2" Wide

Ask your Snap-on Industrial Brands Representative for full options & pricing!

See complete product listing at snapon.com/industrialbrands



DROP PREVENTION A Critical Challenge... SOLVED!

When professionals use tools while working at height, bad things can happen: tools can fall, damaging equipment, interrupting work, and injuring people.

In response to the dangers presented by dropped objects, Snap-on developed **Tools@Height**, a tethered tool system for applications involving work being performed at height, and anywhere dropped or lost objects are a concern.



45 PIECE TOOLS@HEIGHT STARTER SET

Product Code	Description	List Price:	Sale Price:
WSC-45-TH	45 Piece Tools@Height Starter Set	\$2,841.60	\$1,217.85



27 PIECE TOOLS@HEIGHT STARTER SET

Product Code	Description	List Price:	Sale Price:
WSC-27-TH	27 Piece Tools@Height Starter Set	\$2,150.00	\$921.45



225 PIECE TOOLS@HEIGHT INTERMEDIATE MAINTENANCE SERVICE SET

Product Code	Description	List Price:	Sale Price:
WSC-225-TH	Complete Tools@Height Intermediate Tool Set (223 Pieces Total)	\$14,605.85	\$6,259.65



116 PIECE TOOLS@HEIGHT GENERAL MAINTENANCE SERVICE SET

Product Code	Description	List Price:	Sale Price:
WSC-116-TH	Complete Tools@Height General Service Tool Set Only (116 Pieces Total)	\$8,219.90	\$3,522.80



72 PIECE TOOLS@HEIGHT BASIC MAINTENANCE SERVICE SET

Product Code	Description	List Price:	Sale Price:
WSC-72-TH	Complete Tools@Height Basic Maintenance Tool Set in Safe Bucket	\$5,685.90	\$2,436.80



20008

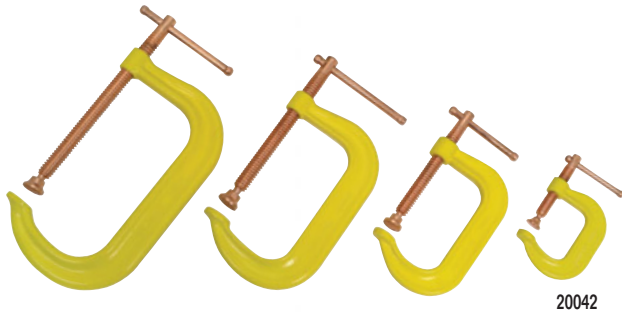
WILLIAMS® DROP FORGED C-CLAMPS

Deep Throat Design, Copper Plated Screw

Product Code	Capacity (Inches)	Throat Depth (Inches)	Screw		Working Load (lbs)	Max. Hand Load (lbs)	Frame Proof Load (lbs)	List Price:	Sale Price:
			Diameter (Inches)	Length (Inches)					
20002	2	2-1/4	9/16	2000	2600	3500	\$32.20	\$13.80	
20003	3	2-7/16	9/16	2400	2880	3500	\$36.30	\$15.55	
20004	4	3-1/4	11/16	2800	4480	6500	\$41.05	\$17.60	
20006	6	4-1/16	3/4	3400	4700	6900	\$56.65	\$24.30	
20008	8	5	3/4	4000	4930	6900	\$74.85	\$32.10	
20010	10	6	7/8	5000	5500	8000	\$94.85	\$40.65	
20012	12	6-1/2	7/8	6000	7000	9500	\$144.60	\$61.95	

Features

- Copper plated screw resists weld splatter
- Drop-forged and heat treated for maximum strength and greater rigidity
- I-Beam design for extra strength
- Powder coated frame resists rust
- "Safety Yellow" color makes clamps easy to locate in dark work areas



20042

WILLIAMS® DROP FORGED C-CLAMP SET

Product Code	Contents Include:	List Price	Sale Price:
20042	4 Piece C-Clamp Set. Includes sizes 2", 4", 6", and 8"	\$184.35	\$79.00



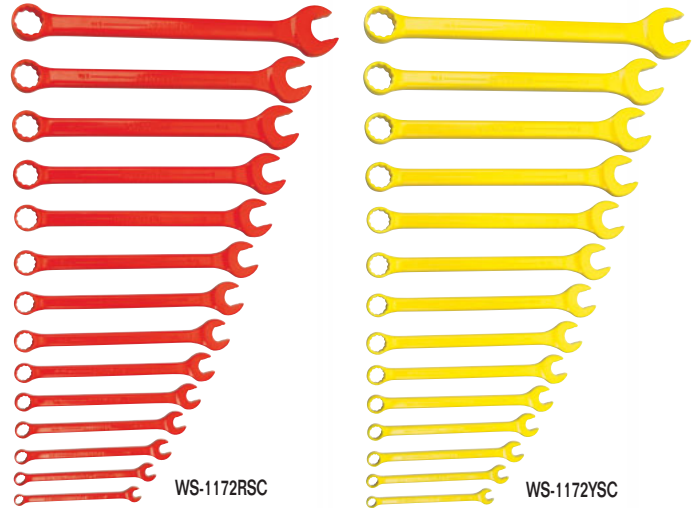
40088

40080

40086

WILLIAMS® SAFETY UTILITY KNIVES & BLADES

Product Code	Description	List Price	Sale Price:
40080	Ambidextrous Safety Cutter with Holster and Lanyard	\$27.95	\$12.00
40086	5-Pack Replacement Safety Point Blades for 40080	\$34.50	\$14.80
40088	3-Pack Film Cutter Unit for 40080	\$19.05	\$4.30



WS-1172RSC

WS-1172YSC

WILLIAMS® SUPERCOMBO® COMBINATION WRENCHES

7 Piece Hi-Vis Combination Wrench Set, 12 Point, SAE, in Pouch

Product Code	Description	List Price:	Sale Price:
WS-1170RSC	7 Pc. Hi-Vis RED Combination Wrench Set, 12 pt. SAE, in Pouch	\$169.40	\$72.60
WS-1170YSC	7 Pc. Hi-Vis YELLOW Combination Wrench Set, 12 pt. SAE, in Pouch	\$169.40	\$72.60

11 Piece Hi-Vis Combination Wrench Set, 12 Point, SAE, in Pouch

Product Code	Description	List Price:	Sale Price:
WS-1171RSC	11 Pc. Hi-Vis RED Combination Wrench Set, 12 pt. SAE, in Pouch	\$338.20	\$144.95
WS-1171YSC	11 Pc. Hi-Vis YELLOW Combination Wrench Set, 12 pt. SAE, in Pouch	\$338.20	\$144.95

14 Piece Hi-Vis Combination Wrench Set, 12 Point, SAE, in Pouch

Product Code	Description	List Price:	Sale Price:
WS-1172RSC	14 Pc. Hi-Vis RED Combination Wrench Set, 12 pt. SAE, in Pouch	\$556.75	\$238.60
WS-1172YSC	14 Pc. Hi-Vis YELLOW Combination Wrench Set, 12 pt. SAE, in Pouch	\$556.75	\$238.60

Features

- SUPERCOMBO® open end has specially designed grooves that direct wrench force away from fastener corners.
- SUPERTORQUE® box opening design allows application of higher torque without rounding or deforming hex fastener points. No contact is made at the corners. Instead, wrenching forces are placed on the flat surfaces behind the points.
- Meets or exceeds aerospace specification AS 954 for 12 point fasteners (as defined by AS 870) to provide accurate torque/tension relationship for precision application.
- May be used on all common hex (6 point) fasteners with considerable advantage over conventional box end wrenches to increase both hand tool flexibility and economy.
- Box and open end openings are identical.



40082

WILLIAMS® DISPOSABLE SAFETY CUTTER

Product Code	Description	List Price:	Sale Price:
40082	Lightweight, ergonomic, ambidextrous disposable safety cutter	\$6.00	\$2.55

See complete product listing at snaon.com/industrialbrands



RATCHETING COMBINATION WRENCHES



High Polish Chrome Finish, 12 Point, SAE

Product Code	Size	OAL	List Price:	Sale Price:
1208RS	1/4	4 15/16	\$39.00	\$16.70
1210RS	5/16	5 29/32	\$37.80	\$16.20
1211RS	11/32	6 15/32	\$40.15	\$17.20
1212RS	3/8	7	\$36.90	\$15.80
1214RS	7/16	7 5/8	\$36.90	\$15.80
1216RS	1/2	8 11/16	\$40.20	\$17.25
1218RS	9/16	9 1/4	\$43.75	\$18.75
1220RS	5/8	10 1/4	\$47.30	\$20.25
1222RS	11/16	10 7/8	\$49.10	\$21.05
1224RS	3/4	12	\$54.10	\$23.20
WS-1170RS	7 Piece Ratcheting Combination Wrenches, 3/8" to 3/4"		\$324.65	\$169.00
WS-1180RS	10 Piece Ratcheting Combination Wrenches, 1/4" to 3/4"		\$452.45	\$170.45



RATCHETING COMBINATION WRENCHES



High Polish Chrome Finish, 12 Point, MM

Product Code	Size	OAL	List Price:	Sale Price:
1210MRS	10	179	\$36.80	\$15.75
1211MRS	11	194	\$36.90	\$15.80
1212MRS	12	207	\$38.40	\$16.45
1213MRS	13	221	\$40.20	\$17.25
1214MRS	14	235	\$43.65	\$18.70
1215MRS	15	249	\$46.05	\$19.75
1216MRS	16	261	\$47.30	\$20.25
1217MRS	17	277	\$49.00	\$21.00
1218MRS	18	291	\$50.90	\$21.80
1219MRS	19	305	\$53.95	\$23.15
MWS-10RS	10 Piece Ratcheting Combination Wrenches, 10 mm to 19 mm		\$470.40	\$171.85



Features

- SUPERCOMBO® open end has specially designed grooves that direct wrench force away from fastener corners.
- SUPERTORQUE® box opening design allows application of higher torque without rounding or deforming hex fastener points. No contact is made at the corners. Instead, wrenching forces are placed on the flat surfaces behind the points.
- Manufactured from special alloy steel, precision forged and head treated for optimum strength and durability.
- Ratcheting gear features up to 80 teeth, minimizing swing arc in tight places.
- Sized for optimum comfort and balance
- Nickel-chrome plating helps protect against corrosion and makes cleaning easy.



BAHCO ERGO® LONG NOSE PLIERS

True Ergonomic Handles with Bi-Molded Grips and On/Off Return Spring

Product Code	Overall Length (Inches)	Jaw Length (Inches)	Maximum Cutting Capacity (Inches)	List Price:	Sale Price:
2430G-140	5 1/2	1 1/2	3/64 Hard Steel	\$42.10	\$18.05
2430G-160	6 1/4	1 15/16	1/16 Hard Steel	\$45.20	\$19.35



BAHCO ERGO® SIDE CUTTING COMBINATION PLIERS

Ergonomically Designed Handles with Bi-Molded Grips and On/Off Return Spring

Product Code	Overall Length (Inches)	Jaw Length (Inches)	Maximum Cutting Capacity (Inches)	List Price:	Sale Price:
2628G-160	6 1/4	1 5/16	1/16 Hard Steel	\$40.60	\$17.40
2628G-180	7	1 7/16	5/64 Hard Steel	\$43.15	\$18.50
2628G-200	8	1 1/2	7/64 Hard Steel	\$46.00	\$19.70



BAHCO ERGO® BIG-MOUTH ADJUSTABLE JOINT PLIERS

True Ergonomic Handles with Bi-Molded Grips

Product Code	Overall Length (Inches)	Maximum Jaw Opening (Inches)	Tip Width (Inches)	List Price:	Sale Price:
8231	9	1 1/2	3/8	\$31.45	\$13.50

YOU SHOULD NEVER HAVE TO ADAPT YOUR HANDS TO A TOOL. OUR ERGO™ TOOLS MEAN YOU DON'T HAVE TO.

A fusion of innovation, design & materials: Bahco's ERGO™ tools are designed around you. They belong in your hand and respond to the demands of every twist and turn. ERGO™ Tools protect the 42 different hand muscles required for a secure grip, prevent avoidable conditions and, most importantly, make demanding work easier.



6 PIECE ERGO® MIXED SCREWDRIVER SET



Three Component Handle with Black Oxide Tips

Product Code	Description	List Price:	Sale Price:
808506	6 Piece ERGO® Screwdriver Set Phillips® / Slotted	\$101.80	\$43.65



2 PIECE ERGO® 1000V SCREWDRIVER WITH SLIM BLADE SET

Three Component Handle with Black Oxide Tips

Product Code	Description	List Price:	Sale Price:
BE-9890SL	2 Piece ERGO® Screwdriver with Slim Blade Combination Tip Set	\$49.45	\$21.20



6 PIECE ERGO® MIXED SCREWDRIVER SET



Three Component Handle with Black Oxide Tips

Product Code	Description	List Price:	Sale Price:
BE-9881	6 Piece ERGO® Screwdriver Set Phillips® / Slotted	\$72.20	\$30.95



2 PIECE ERGO® 1000V SCREWDRIVER WITH SLIM BLADE SET

Three Component Handle with Black Oxide Tips

Product Code	Description	List Price:	Sale Price:
BE-9891SL	2 Piece ERGO® Screwdriver with Slim Blade Phillips Set	\$34.72	\$14.90



6 PIECE ERGO® MIXED SCREWDRIVER SET



Three Component Handle with Black Oxide Tips

Product Code	Description	List Price:	Sale Price:
BE-9886	6 Piece ERGO® Screwdriver Set Phillips® / Slotted / Pozidriv®	\$80.80	\$34.65

9031 RC US



9031 R US



BIG-MOUTH ERGO® ADJUSTABLE WRENCHES

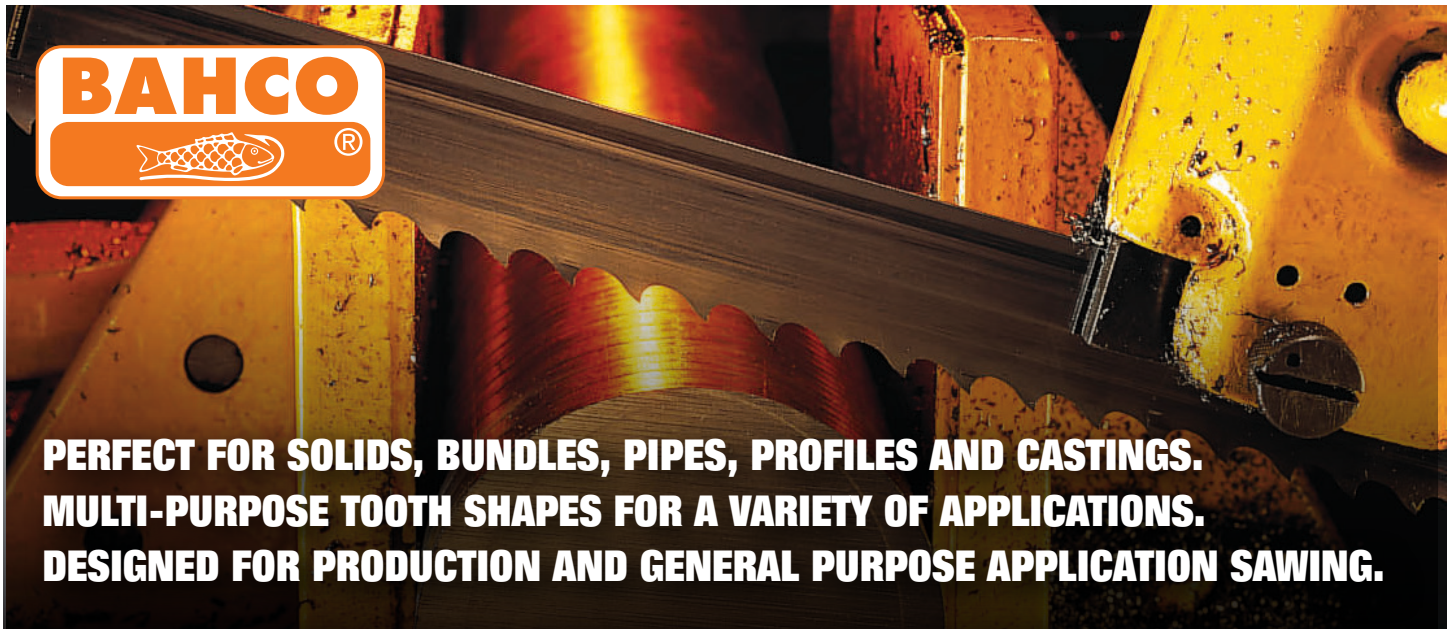
Designed According to Bahco's Scientific 11-Step Ergonomic Design Program

Product Code	Length (Inches)	Maximum Jaw Opening (Inches)	Head Thickness (Inches)	Jaw Tip Thickness (Inches)	List Price:	Sale Price:
Chrome Finish:						
9031 RC US	8	1 1/2	1/2	1/4	\$46.05	\$19.75
Black Phosphate Finish:						
9029 R US	8	1 1/2	1/2	1/4	\$40.60	\$17.40
9031 R US	8	1 1/2	1/2	1/4	\$39.15	\$16.80
9033 R US	8	1 1/2	1/2	1/4	\$92.10	\$39.45
9035 R US	12	2 3/16	3/8	7/8	\$108.20	\$46.35

See complete product listing at snapon.com/industrialbrands

**BUY 5 SANDFLEX® M42
BANDSAW WELDED LOOPS**

GET ONE FREE
OF EQUAL OR LESSER VALUE

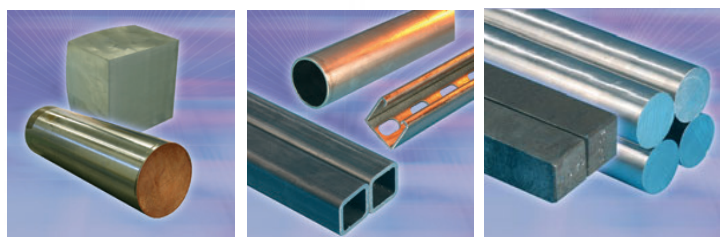


**PERFECT FOR SOLIDS, BUNDLES, PIPES, PROFILES AND CASTINGS.
MULTI-PURPOSE TOOTH SHAPES FOR A VARIETY OF APPLICATIONS.
DESIGNED FOR PRODUCTION AND GENERAL PURPOSE APPLICATION SAWING.**

WELDED BAND PRICES

Weld charge is included in prices below

5' 6"	\$23.06	\$24.93	\$28.40	\$33.21	\$38.37	20'	\$149.96
6"	\$24.36	\$26.40	\$30.04	\$35.18	\$40.71	20' 6"	\$153.34
6' 6"	\$25.66	\$27.87	\$31.68	\$37.15	\$43.05	21'	\$156.71
7'	\$26.96	\$29.34	\$33.32	\$39.12	\$45.39	21' 6"	\$160.09
7' 6"	\$28.26	\$30.81	\$34.96	\$41.09	\$47.73	22'	\$163.46
8'	\$29.56	\$32.28	\$36.60	\$43.06	\$50.07	22' 6"	\$166.84
8' 6"	\$30.86	\$33.75	\$38.24	\$45.03	\$52.41	23'	\$170.21
9'	\$32.16	\$35.22	\$39.88	\$47.00	\$54.75	23' 6"	\$173.59
9' 6"	\$33.46	\$36.69	\$41.52	\$48.97	\$57.09	24'	\$176.96
10'	\$34.76	\$38.16	\$43.16	\$50.94	\$59.43	24' 6"	\$180.34
10' 6"	\$36.06	\$39.63	\$44.80	\$52.91	\$61.77	25'	\$183.71
11'	\$37.36	\$41.10	\$46.44	\$54.88	\$64.11	25' 6"	\$187.09
11' 6"	\$38.66	\$42.57	\$48.08	\$56.85	\$66.45	26'	\$190.46
12'	\$39.96	\$44.04	\$49.72	\$58.82	\$68.79	26' 6"	\$193.84
12' 6"	\$41.26	\$45.51	\$51.36	\$60.79	\$71.13	27'	\$197.21
13'	\$42.56	\$46.98	\$53.00	\$62.76	\$73.47	27' 6"	\$200.59
13' 6"	\$43.86	\$48.45	\$54.64	\$64.73	\$75.81	28'	\$203.96
14'	\$45.16	\$49.92	\$56.28	\$66.70	\$78.15	28' 6"	\$207.34
14' 6"	\$46.46	\$51.39	\$57.92	\$68.67	\$80.49	29'	\$210.71
15'	\$47.76	\$52.86	\$59.56	\$70.64	\$82.83	29' 6"	\$214.09
15' 6"	\$49.06	\$54.33	\$61.20	\$72.61	\$85.17	30'	\$217.46
16'	\$50.36	\$55.80	\$62.84	\$74.58	\$87.51	30' 6"	\$220.84
16' 6"	\$51.66	\$57.27	\$64.48	\$76.55	\$89.85	31'	\$224.21
17'	\$52.96	\$58.74	\$66.12	\$78.52	\$92.19	31' 6"	\$227.59
17' 6"	\$54.26	\$60.21	\$67.76	\$80.49	\$94.53	32'	\$230.96
18'	\$55.56	\$61.68	\$69.40	\$82.46	\$96.87	32' 6"	\$234.34
18' 6"	\$56.86	\$63.15	\$71.04	\$84.43	\$99.21	33'	\$237.71
19'	\$58.16	\$64.62	\$72.68	\$86.40	\$101.55	33' 6"	\$241.09
19' 6"	\$59.46	\$66.09	\$74.32	\$88.37	\$103.89	34'	\$244.46
20'	\$60.76	\$67.56	\$75.96	\$90.34	\$106.23	34' 6"	\$247.84
20' 6"	\$62.06	\$69.03	\$77.60	\$92.31	\$108.57	35'	\$251.21
21'	\$63.36	\$70.50	\$79.24	\$94.28	\$110.91	35' 6"	\$254.59
21' 6"	\$64.66	\$71.97	\$80.88	\$96.25	\$113.25	36'	\$257.96
22'	\$65.96	\$73.44	\$82.52	\$98.22	\$115.59	36' 6"	\$261.34
22' 6"	\$67.26	\$74.91	\$84.16	\$100.19	\$117.93	37'	\$264.71
23'	\$68.56	\$76.38	\$85.80	\$102.16	\$120.27	37' 6"	\$268.09
23' 6"	\$69.86	\$77.85	\$87.44	\$104.13	\$122.61	38'	\$271.46
24'	\$71.16	\$79.32	\$89.08	\$106.10	\$124.95	38' 6"	\$274.84
24' 6"	\$72.46	\$80.79	\$90.72	\$108.07	\$127.29	39'	\$278.21
25'	\$73.76	\$82.26	\$92.36	\$110.04	\$129.63	39' 6"	\$281.59
25' 6"	\$75.06	\$83.73	\$94.00	\$112.01	\$131.97	40'	\$284.96
26'	\$76.36	\$85.20	\$95.64	\$113.98	\$134.31	40' 6"	\$288.34



To Calculate your cost on bands not shown

Welded to length cost calculation:

- Band Length x Price Per Foot = Material Cost
- Material Cost + Weld Charge = Band Cost

Weld Charges	List Price:	Sale Price:
1/2" to 3/4"	\$11.15	\$8.76
1"	\$13.18	\$10.36
1-1/4"	\$14.69	\$11.54
1-1/2"	\$16.07	\$12.63
2"	\$19.04	\$14.96

Bands slightly over a foot in length are figured at the next half foot increment.

Bands slightly over half foot in length are figured at next full foot increment.

Example: 5'4-1/2" band figures as a 5'6" band

7'9-1/2" band figures as a 8'0" band

Dimensions	14/18	10/14	8/12	6/10	5/8	4/6	3/4	2/3	1.4/2	List Price Per Foot	Sale Price
1/2 x .020	X	X								\$3.31	\$2.60
1/2 x .025	X	X	X	X						\$3.31	\$2.60
1/2 x .035		X	X	X						\$3.31	\$2.60
3/4 x .035		X	X	X	X	X				\$3.74	\$2.94
1 x .035		X	X	X	X	X	X	X		\$4.17	\$3.28
1-1/4 x .042				X	X	X	X	X		\$5.02	\$3.94
1-1/2 x .050				X	X	X	X	X		\$5.95	\$4.68
2 x .063						X	X	X	X	\$8.59	\$6.75



WILLIAMS® 67 PIECE 1/4" DRIVE SOCKET SET

6 Point Rugged-Case-System Tool Set, SAE and Metric

Contents Include: 1/4" Drive Tools, 1/4" Drive Deep 6 Point Sockets MM sizes: 4 to 13, 1/4" Drive Deep 6 Point Sockets SAE sizes: 3/16" to 9/16", 1/4" Drive Shallow 6 Point Sockets MM sizes: 4, 7 and 8, 1/4" Drive Shallow 6 Point Sockets SAE sizes: 3/16" to 9/16", 1/4" Drive Hex Bit Sockets SAE sizes: 1/8 to 5/16, 1/4" Drive Hex Bit Sockets MM sizes: 3 to 8, 1/4" Drive Slotted Bit Sockets SAE sizes 5/32" to 9/32", 1/4" Drive Phillips Bit Sockets SAE sizes #0, #1, #2

Product Code	Description	List Price:	Sale Price:
50602A	67 Piece 1/4" Drive Socket Set	\$246.35	\$105.60



WILLIAMS® 63 PIECE 3/8" DRIVE SOCKET, SCREWDRIVER, & WRENCH SET

6 & 12 Point Rugged-Case-System Tool Set, SAE and Metric

Contents Include: 1/4" Drive Tools, 3/8" Drive Tools, 12 Point Combination Wrenches sizes: 1/4 to 5/8, Comfort Grip Screwdrivers, 1/4" Hex Screwdriver Bits, 3/8" Drive Shallow 6-Point Sockets SAE sizes: 1/4" to 1", 3/8" Drive Shallow 6-Point Sockets MM sizes: 6 to 19 and 1/4" Hex Screwdriver Bits

Product Code	Description	List Price:	Sale Price:
50605A	63 Piece 3/8" Drive Socket, Screwdriver, and Wrench Set	\$296.75	\$127.20



WILLIAMS® 36 PIECE 1/4" DRIVE SOCKET SET

6 Point Rugged-Case-System Tool Set, Metric

Contents Include: 1/4" Drive Tools, 1/4" Drive Shallow 6 Point Sockets MM sizes: 4 to 13, 1/4" Drive Phillips Socket sizes: #1, #2, #3, 1/4" Drive Slotted Socket sizes: 4, 5.5, 7, 1/4" Drive Hex Bit Sockets MM sizes: 3 to 8, 1/4" Drive Torx Bit Socket T8 to T30

Product Code	Description	List Price:	Sale Price:
50604A	36 Piece Socket Set	\$117.80	\$50.50



WILLIAMS® 25 PIECE 1/2" DRIVE BASIC TOOL SET

12 Point Rugged-Case-System Tool Set, Metric

Contents Include: 1/2" Drive Tools and 1/2" Drive Shallow 12 Point Sockets MM sizes: 10 to 32

Product Code	Description	List Price:	Sale Price:
50619	25 Piece Basic Tool Set, Metric	\$200.50	\$85.95



WILLIAMS® 23 PIECE 1/2" DRIVE BASIC TOOL SET

12 Point Rugged-Case-System Tool Set, SAE

Contents Include: 1/2" Drive Tools and 1/2" Drive Shallow 12 Point Sockets SAE sizes: 3/8" to 1-1/4"

Product Code	Description	List Price:	Sale Price:
50609	23 Piece Basic Tool Set, SAE	\$200.50	\$85.95

Features

- SUPERTORQUE® lobular openings for greater turning power without deforming the fastener
- Designed for maximum engagement on 6 point fasteners
- Suitable for use with pneumatic and electric impact wrenches
- Specially heat treated for impact use to provide long life, safety, and durability
- Drive end features pin retention hole and groove

See complete product listing at snapon.com/industrialbrands



SOCKET AND DRIVE TOOL SETS



MSB-29HFTB



29 PIECE 3/8" DRIVE SOCKET AND DRIVE TOOL SET

6 Point Metric, Packed in Exclusive Keep-Safe-Foam System with with Metal Box

Contents Include: Drive Tools, Shallow 6 Point Sockets sizes: 8mm to 19mm, Deep 6 Point Sockets sizes: 8mm to 19mm

MSB-29HFTB List Price: \$423.20 **Sale Price: \$181.35**



WSM-26HFTB



26 PIECE 1/4" DRIVE SOCKET AND DRIVE TOOL SET

6 Point SAE, Packed in Exclusive Keep-Safe-Foam System with with Metal Box

Contents Include: Drive Tools, Shallow 6 Point Sockets sizes: 5/32" to 9/16", Deep 6 Point Sockets sizes: 3/16" to 9/16"

WSM-26HFTB List Price: \$331.55 **Sale Price: \$142.10**



WSB-23HFTB



23 PIECE 3/8" DRIVE SOCKET AND DRIVE TOOL SET

6 Point SAE, Packed in Exclusive Keep-Safe-Foam System with with Metal Box

Contents Include: Drive Tools, Shallow 6 Point Sockets sizes: 3/8" to 7/8", Deep 6 Point Sockets sizes: 3/8" to 7/8"

WSB-23HFTB List Price: \$375.55 **Sale Price: \$160.95**



MSS-20FTB



20 PIECE 1/2" DRIVE SOCKET AND DRIVE TOOL SET

12 Point Metric, Packed in Exclusive Keep-Safe-Foam System with with Metal Box

Contents Include: Drive Tools, Shallow 12 Point Sockets sizes: 10mm to 36mm

MSS-20FTB List Price: \$494.00 **Sale Price: \$211.70**



WSM-15HFTB



15 PIECE 1/4" DRIVE SOCKET AND DRIVE TOOL SET

6 Point SAE, Packed in Exclusive Keep-Safe-Foam System with with Metal Box

Contents Include: Drive Tools, Shallow 6 Point Sockets sizes: 3/16" to 9/16"

WSM-15HFTB List Price: \$245.50 **Sale Price: \$92.35**



WSS-15FTB



15 PIECE 1/2" DRIVE SOCKET AND DRIVE TOOL SET

12 Point SAE, Packed in Exclusive Keep-Safe-Foam System with with Metal Box

Contents Include: Drive Tools, Shallow 12 Point Sockets sizes: 7/16" to 1"

WSS-15FTB List Price: \$391.00 **Sale Price: \$167.55**



AUTHORIZED DISTRIBUTOR

Snap-on INDUSTRIAL BRANDS



To request a copy of our new catalog email: industrialbrands@snapon.com

Offer Valid While Supplies Last
January 1, 2018 - April 30, 2018

