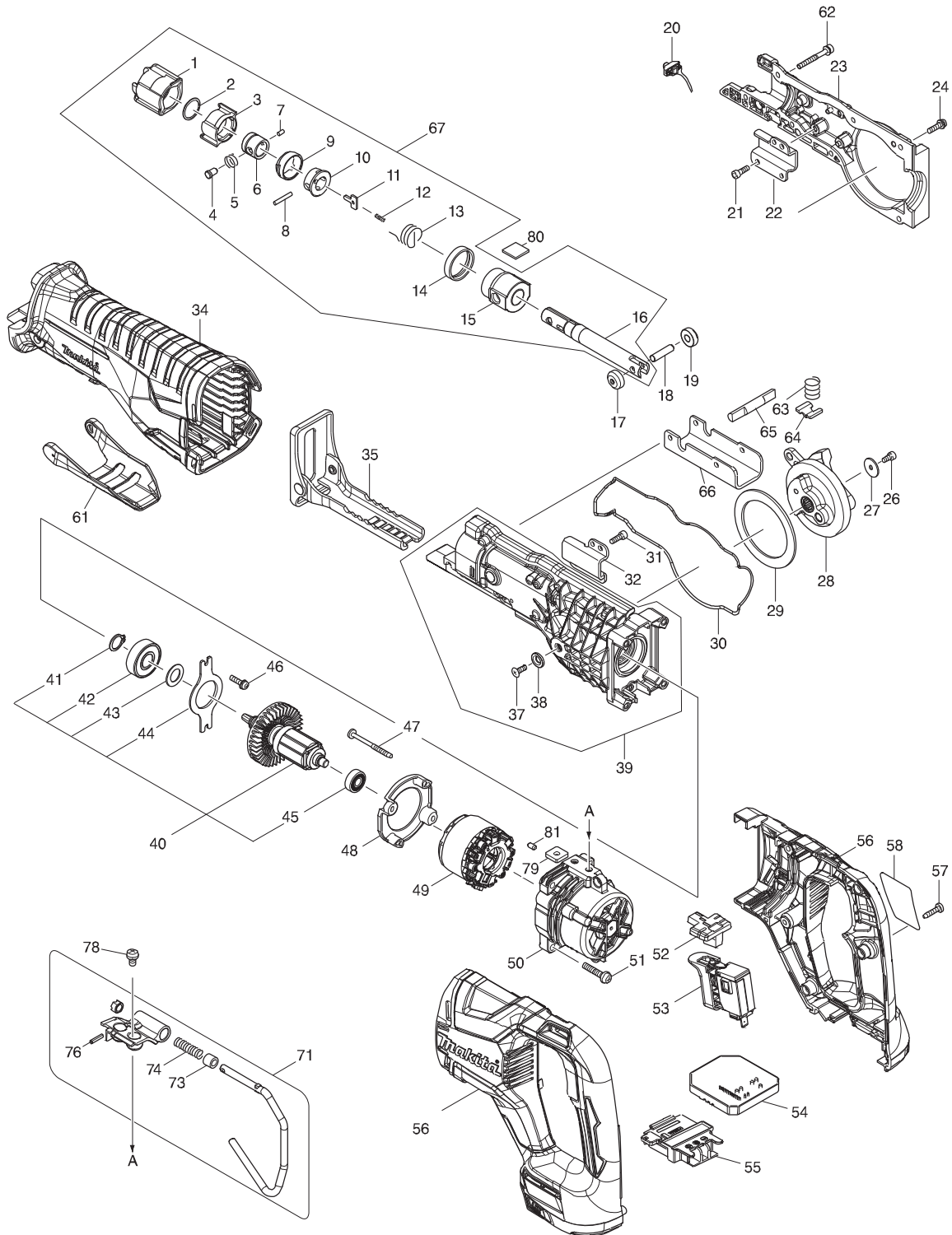




05 - 2016

DJR187Z

# 18V LXT Brushless Reciprocating Saw



| Item No. | Type | Sub  | Part No. | Description                    | Qty | Unit |
|----------|------|------|----------|--------------------------------|-----|------|
| 001      |      |      | 424763-8 | PROTECTOR                      | 1   | PC.  |
| 002      | 1    |      | 257952-8 | RETAINING RING (EXT) 18        | 1   | PC.  |
|          | 2    |      | 257430-8 | RETAINING RING (EXT) 18        | 1   | PC.  |
| 003      |      |      | 310662-9 | DRIVING SLEEVE                 | 1   | PC.  |
| 004      |      |      | 256569-4 | SHOULDER PIN 5                 | 1   | PC.  |
| 005      |      |      | 234381-2 | COMPRESSION SPRING 6           | 1   | PC.  |
| 006      | 1    |      | 331720-8 | GUIDE SLEEVE                   | 1   | PC.  |
|          | 2    |      | 327043-0 | GUIDE SLEEVE                   | 1   | PC.  |
| 007      |      |      | 268094-3 | PIN 3                          | 1   | PC.  |
| 008      |      |      | 256158-5 | PIN 3                          | 1   | PC.  |
| 009      |      |      | 417791-0 | DRIVING SLEEVE GUIDE           | 1   | PC.  |
| 010      |      |      | 418311-3 | SLEEVE                         | 1   | PC.  |
| 011      |      |      | 345214-7 | PUSH PLATE                     | 1   | PC.  |
| 012      |      |      | 233025-1 | COMPRESSION SPRING 2           | 1   | PC.  |
| 013      |      |      | 231687-9 | TORSION SPRING 17              | 1   | PC.  |
| 014      |      |      | 424762-0 | RUBBER RING                    | 1   | PC.  |
| 015      |      |      | 143365-8 | SLIDER GUIDE COMPLETE          | 1   | PC.  |
|          |      | INC. | 213151-2 | OIL SEAL 14                    | 1   | PC.  |
|          |      | INC. | 213174-0 | X RING 14                      | 1   | PC.  |
| 016      |      |      | 161376-1 | SLIDER                         | 1   | PC.  |
| 017      |      |      | 310663-7 | ROLLER                         | 1   | PC.  |
| 018      |      |      | 268341-2 | PIN 6                          | 1   | PC.  |
| 019      |      |      | 310663-7 | ROLLER                         | 1   | PC.  |
| 020      |      |      | 620434-7 | LED CIRCUIT                    | 1   | PC.  |
| 021      | 2    |      | 265353-6 | HEX. SOCKET HEAD BOLT M4X12    | 2   | PC.  |
| 022      |      |      | 346936-2 | ROD GUIDE R                    | 1   | PC.  |
| 023      |      |      | 143362-4 | GEAR HOUSING R COMPLETE        | 1   | PC.  |
| 024      |      |      | 911128-8 | PAN HEAD SCREW M4X16           | 5   | PC.  |
| 026      | 2    |      | 265911-8 | HEX. SOCKET HEAD BOLT M4X8     | 1   | PC.  |
| 027      |      |      | 267491-0 | FLAT WASHER 4                  | 1   | PC.  |
| 028      | 1    |      | 143359-3 | GEAR COMPLETE                  | 1   | PC.  |
|          | 2    |      | 140D35-4 | GEAR COMPLETE                  | 1   | PC.  |
| 029      |      |      | 267490-2 | FLAT WASHER 54                 | 1   | PC.  |
| 030      |      |      | 424764-6 | SEAL RING                      | 1   | PC.  |
| 031      | 2    |      | 265353-6 | HEX. SOCKET HEAD BOLT M4X12    | 2   | PC.  |
| 032      |      |      | 346935-4 | ROD GUIDE L                    | 1   | PC.  |
| 034      |      |      | 424765-4 | INSULATION COVER               | 1   | PC.  |
| 035      | 1    |      | 161374-5 | SHOE                           | 1   | PC.  |
|          | 2    |      | 161809-6 | SHOE                           | 1   | PC.  |
| 037      | 2    |      | 265135-6 | + COUNTERSUNK HEAD SCREW M4X10 | 1   | PC.  |
| 038      |      |      | 253825-3 | FLAT WASHER 6                  | 1   | PC.  |
| 039      | 2    |      | 126677-4 | GEAR HOUSING L ASSEMBLY        | 1   | PC.  |
|          |      | INC. |          | Item No. 37,38                 |     |      |
| 040      | 2    |      | 519529-0 | ROTOR ASS'Y                    | 1   | PC.  |
|          |      | INC. |          | Item No. 41-45                 |     |      |
| 041      |      |      | 961052-5 | RETAINING RING S-12            | 1   | PC.  |
| 042      |      |      | 210118-1 | BALL BEARING 6201DDW           | 1   | PC.  |
| 043      |      |      | 253744-3 | FLAT WASHER 12                 | 1   | PC.  |
| 044      |      |      | 285740-3 | BEARING RETAINER 66            | 1   | PC.  |
| 045      |      |      | 210062-2 | BALL BEARING 607ZZ             | 1   | PC.  |
| 046      |      |      | 911128-8 | PAN HEAD SCREW M4X16           | 2   | PC.  |
| 047      | 2    |      | 266425-0 | TAPPING SCREW BIND M4X45       | 2   | PC.  |
| 048      |      |      | 456178-1 | BAFFLE PLATE                   | 1   | PC.  |
| 049      |      |      | 629179-4 | STATOR                         | 1   | PC.  |
| 050      |      |      | 456179-9 | MOTOR HOUSING                  | 1   | PC.  |
| 051      |      |      | 911243-8 | PAN HEAD SCREW M5X25           | 4   | PC.  |

| Item No.                  | Type | Sub  | Part No. | Description                                 | Qty | Unit |
|---------------------------|------|------|----------|---|-----|------|
| 052                       |      |      | 456177-3 | CHANGE BUTTON                               | 1   | PC.  |
| 053                       |      |      | 650759-5 | SWITCH C3JW-6B-2                            | 1   | PC.  |
| 054                       | 2    |      | 620812-1 | CONTROLLER A                                | 1   | PC.  |
| 055                       | 2    |      | 643874-2 | * TERMINAL                                  | 1   | PC.  |
| 056                       | 1    |      | 183C47-8 | * HANDLE SET                                | 1   | SET  |
|                           |      | INC. | 263005-3 | * RUBBER PIN 6                              | 2   | PC.  |
|                           | 2    |      | 183D21-2 | * HANDLE SET                                | 1   | SET  |
|                           |      | INC. | 263005-3 | * RUBBER PIN 6                              | 2   | PC.  |
|                           | 3    |      | 183K23-0 | * HANDLE SET                                | 1   | SET  |
|                           |      | INC. | 263005-3 | * RUBBER PIN 6                              | 2   | PC.  |
| 057                       |      |      | 266326-2 | TAPPING SCREW 4X18                          | 6   | PC.  |
| 058                       |      |      | 851P12-0 | NAME PLATE F/ DJR187                        | 1   | PC.  |
| 059                       |      |      | 807Y37-6 | CAUTION LABEL                               | 1   | PC.  |
| 061                       |      |      | 456176-5 | LOCK LEVER                                  | 1   | PC.  |
| 062                       |      |      | 266979-7 | HEX.SOCKET HEAD BOLT M4X35 WR               | 2   | PC.  |
| 063                       |      |      | 231231-2 | COMPRESSION SPRING 12                       | 1   | PC.  |
| 064                       |      |      | 346938-8 | SHOE LOCK PLATE                             | 1   | PC.  |
| 065                       |      |      | 326599-0 | LOCK PIN                                    | 1   | PC.  |
| 066                       |      |      | 346937-0 | SHOE GUIDE PLATE                            | 1   | PC.  |
| 067                       | 1    |      | 123510-1 | SLIDER ASSEMBLY                             | 1   | PC.  |
|                           |      | INC. |          | Item No. 1-16                               |     |      |
|                           | 2    |      | 127397-3 | SLIDER ASSEMBLY                             | 1   | PC.  |
|                           |      | INC. |          | Item No. 1-16                               |     |      |
| 071                       |      |      | 123455-3 | HOOK ASSEMBLY                               | 1   | PC.  |
|                           |      | INC. |          | Item No. 73, 74, 76                         |     |      |
| 073                       |      |      | 262561-0 | SLEEVE 6                                    | 1   | PC.  |
| 074                       |      |      | 233455-6 | COMPRESSION SPRING 7                        | 1   | PC.  |
| 076                       |      |      | 951057-3 | SPRING PIN 3-12                             | 1   | PC.  |
| 078                       |      |      | 911206-4 | PAN HEAD SCREW M5X10                        | 2   | PC.  |
| 079                       |      |      | 264002-2 | SQUARE NUT M5                               | 2   | PC.  |
| 080                       |      |      | 424858-7 | FELT 16X16                                  | 1   | PC.  |
| 081                       |      |      | 263002-9 | RUBBER PIN 4                                | 1   | PC.  |
| C01                       |      |      | 878570-5 | CARTON F/DJR187Z                            | 1   | PC.  |
| <b><u>ACCESSORIES</u></b> |      |      |          |   |     |      |
| A01                       |      |      | 194068-7 | RECIPRO SAW BLADE 2PC/KIT (F/Metal, F/Wood) | 1   | SET  |
| A02                       |      |      | ---      | 18V LI-ION BATTERY                          |     |      |
| A03                       |      |      | ---      | BATTERY CHARGER                             |     |      |
| A04                       |      |      | ---      | LI-ION BATTERY ACCESSORIES                  |     |      |

## **SERVICE CHANGES**

### **1. Handle set and Terminal**

(T/I# B4531)

| <b>Item No.</b> | <b>Description</b> | <b>Type 1</b> | <b>Type 2</b> |
|-----------------|--------------------|---------------|---------------|
| 55              | Terminal           | 643899-6      | 643874-2      |
| 56              | Housing Set        | 183C47-8      | 183D21-2      |

**Above parts are interchangeable as a set**

### **2. Gear Complete, Rotor Assembly**

(T/I# C2638)

| <b>Item No.</b> | <b>Description</b> | <b>Type 1</b> | <b>Type 2</b> |
|-----------------|--------------------|---------------|---------------|
| 28              | Gear Complete      | 143359-3      | 140D35-4      |
| 40              | Rotor Assy         | 519418-9      | 519529-0      |

**Above parts are interchangeable as a set**

### **3. Retaining Ring and Guide Sleeve**

(T/I# C8033)

| <b>Item No.</b> | <b>Description</b> | <b>Type 1</b> | <b>Type 2</b> |
|-----------------|--------------------|---------------|---------------|
| 2               | Retaining Rin      | 257952-8      | 257430-8      |
| 6               | Housing Set        | 331720-8      | 327043-0      |

**Above parts are interchangeable as a set**