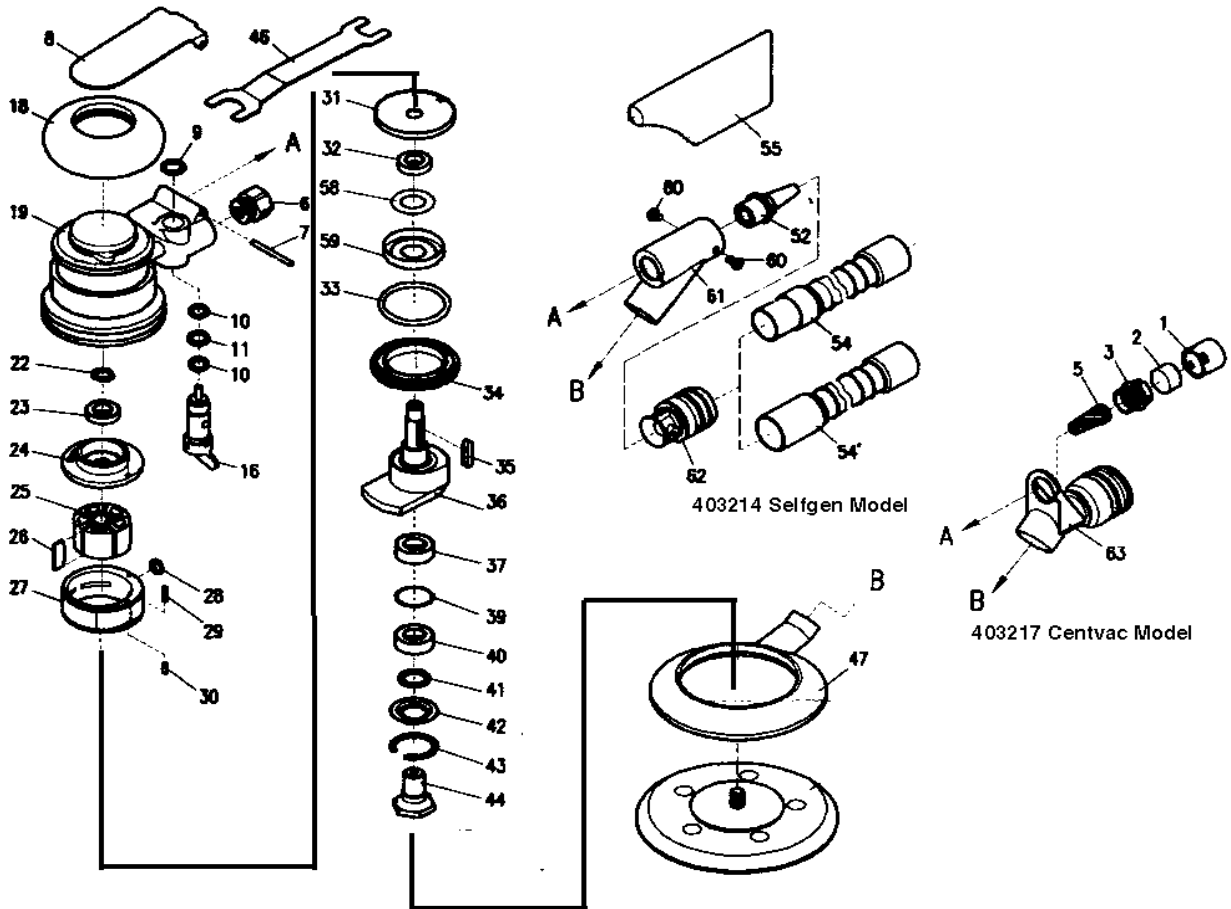


DA63NV,SG 6" DUAL ACTION SANDER PRODUCT # 403214,17



| REF | PART NUMBER | DESCRIPTION | REQ | REF | PART NUMBER | DESCRIPTION | REQ |
|-----|---------------|----------------------------|-----|-----|----------------|---------------------------|-----|
| 1 | PUT-DA63NV-1 | Cover | 1 | 32 | PB6002-2Z | Ball Bearing (6002ZZ) | 1 |
| 2 | PUT-DA63NV-2 | Felt | 1 | 33 | PUT-DA63NV-33 | O-Ring (P40) | 1 |
| 3 | PUT-DA63NV-3 | Muffler Body | 1 | 34 | PUT-DA63NV-34 | Safeguard Bushing | 1 |
| 4 | PUT-DA63NV-4 | O-Ring (dia. 15 x 1.5) | 1 | 35 | PUT-DA63NV-35 | Rotor Key (3 x 4 x 18) | 1 |
| 5 | PUT-DA63NV-5 | cone Muffler | 1 | 36 | PUT-DA63NV-36 | Motor Shaft Balancer | 1 |
| 6 | PUT-DA63NV-6 | Inlet Bushing | 1 | 37 | PB6001-2Z | Ball Bearing (6001) | 1 |
| 7 | PUT-DA63NV-7 | Spring Pin (dia. 3 x 40) | 1 | 39 | PUT-DA63NV-39 | Washer | 1 |
| 8 | PUT-DA63NV-8 | Lever | 1 | 40 | PB6001-2RS | Ball Bearing (6001RS) | 1 |
| 9 | PUT-DA63NV-9 | Snap Ring | 1 | 41 | PUT-DA63NV-41 | Felt Ring | 1 |
| 10 | PUT-DA63NV-10 | O-Ring (dia 10 x 1.5) | 2 | 42 | PUT-DA63NV-42 | Bearing Shield | 1 |
| 11 | PUT-DA63NV-11 | O-Ring (dia 11 x 1) | 1 | 43 | PUT-DA63NV-43 | Snap Ring (NR28) | 1 |
| 16 | PUT-DA63NV-16 | Regulator Assembly | 1 | 44 | PUT-DA63NV-44 | Shaft | 1 |
| 18 | PUT-DA63NV-18 | Rubber Cover | 1 | 46 | PUT-DA63NV-47 | Stop Spanner | 1 |
| 19 | PUT-DA63NV-19 | Housing | 1 | 47 | PUT-DA63SG-47 | Shroud | 1 |
| 22 | PUT-DA63NV-22 | Snap Ring (S9) | 1 | 52 | PUT-DA63SG-52 | Vac. Nozzle | 1 |
| 23 | PB629-2Z | Ball Bearing (629ZZ) | 1 | 54 | PUT-DA63SG-54 | Rubber Hose | 1 |
| 24 | PUT-DA63NV-24 | Rear Plate | 1 | 54 | PUT-DA63SG-54' | Rubber Hose | 1 |
| 25 | PUT-DA63NV-25 | Rotor | 1 | 55 | PUT-DA63SG-55 | Bag | 1 |
| 26 | PUT-DA63NV-26 | Rotor Blade | 5 | 58 | PUT-DA63NV-48 | Washer | 1 |
| 27 | PUT-DA63NV-27 | Cylinder | 1 | 59 | PUT-DA63SG-59 | Bushing | 1 |
| 28 | PUT-DA63NV-28 | O-Ring (P7) | 1 | 60 | PUT-DA63SG-60 | Screw(M4 x 8) | 2 |
| 29 | PUT-DA63NV-29 | Spring Pin (dia. 3 x 8) | 1 | 61 | PUT-DA63SG-61 | Eductor Assembly | 1 |
| 30 | PUT-DA63NV-30 | Spring Pin (dia. 3 x 5) | 1 | 62 | PUT-DA63SG-62 | Vac. Tube (dia. 28.6) | 1 |
| 31 | PUT-DA63NV-31 | Front Plate | 1 | 63 | PUT-DA63CV-63 | Vac.Adapter (dia. 33.5) | 1 |