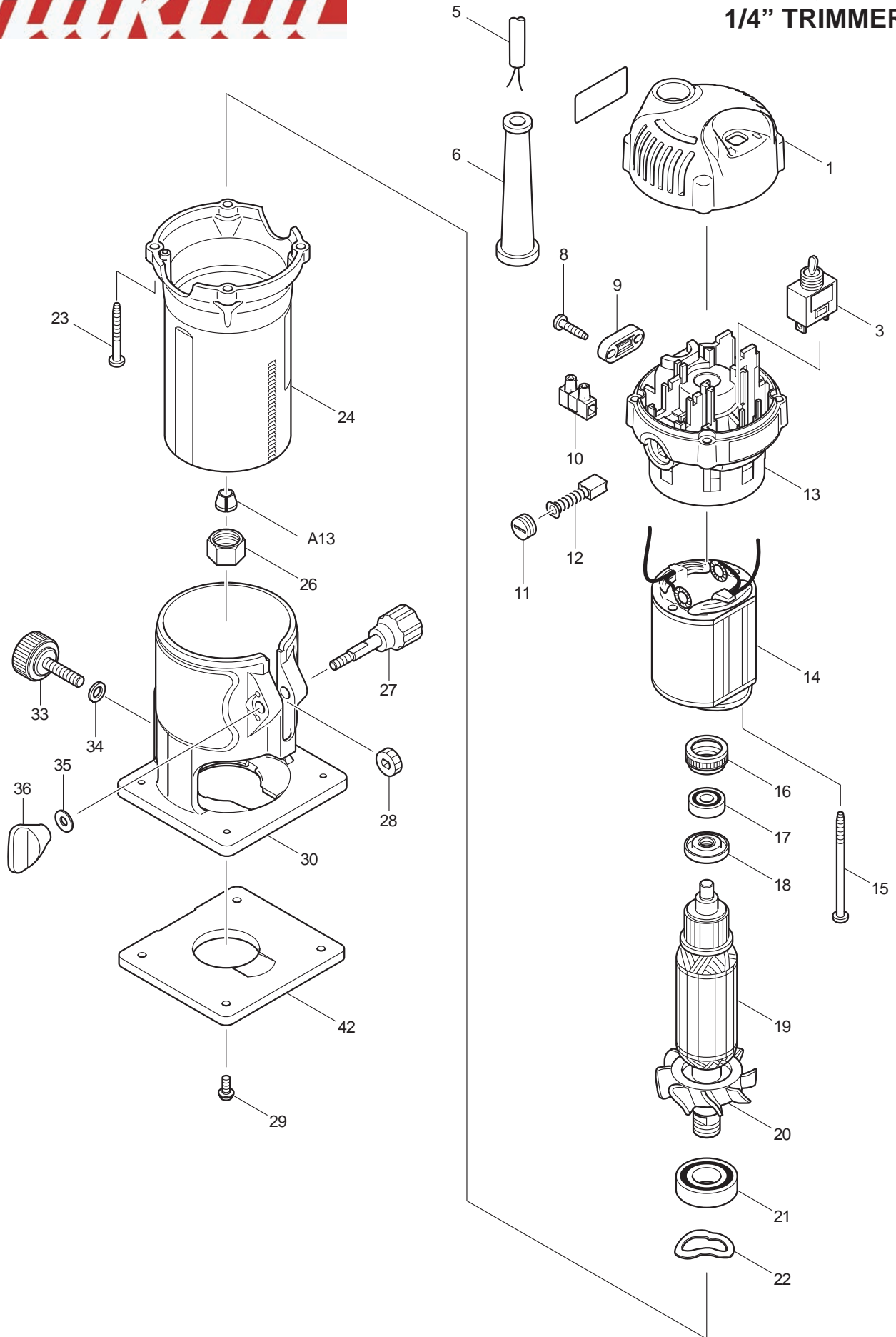




08 - 2010  
3709, 3709X  
1/4" TRIMMER



| Item No | Type | Ref  | Part No  | Description                             | Qty | Unit |
|---------|------|------|----------|---|-----|------|
| 001     |      |      | 419137-6 | TOP COVER                               | 1   | PC.  |
| 003     | 1    |      | 651425-7 | SWITCH STL115ADT                        | 1   | PC.  |
|         | 2    |      | 651066-9 | SWITCH STL115A-TB-S1                    | 1   | PC.  |
| 004     |      |      | 861695-2 | NAME PLATE F/3709                       | 1   | PC.  |
| 005     |      |      | 664891-9 | CORD WITH PLUG 2P-18-2.5M SJ            | 1   | PC.  |
| 006     |      |      | 682569-2 | CORD GUARD 8-85                         | 1   | PC.  |
| 008     |      |      | 266326-2 | TAPPING SCREW 4X18                      | 2   | PC.  |
| 009     |      |      | 687123-7 | STRAIN RELIEF                           | 1   | PC.  |
| 010     |      |      | 654532-5 | TERMINAL BLOCK 1P                       | 1   | PC.  |
| 011     |      |      | 643550-8 | BRUSH HOLDER CAP 5-8                    | 2   | PC.  |
| 012     | 2    |      | 195008-8 | CARBON BRUSH CB-408 2PC/SET (W/ ORIGIN) | 1   | SET  |
| 013     |      |      | 154807-7 | BRACKET COMPLETE                        | 1   | PC.  |
|         |      | INC. | 643455-2 | BRUSH HOLDER 6X9                        | 2   | PC.  |
| 014     |      |      | 590017-6 | FIELD ASS'Y 115V (OLD# 593591-3)        | 1   | PC.  |
|         |      | INC. | 654100-4 | RING TERMINAL                           | 2   | PC.  |
|         |      | INC. | 654501-6 | CONNECTOR P-1.25                        | 2   | PC.  |
| 015     |      |      | 266340-8 | TAPPING SCREW 4X65                      | 2   | PC.  |
| 016     |      |      | 421494-0 | RUBBER RING 19                          | 1   | PC.  |
| 017     |      |      | 210034-7 | BALL BEARING 607LLB                     | 1   | PC.  |
| 018     |      |      | 681668-7 | INSULATION WASHER                       | 1   | PC.  |
| 019     | 2    |      | 510274-0 | ARMATURE ASS'Y 115V                     | 1   | PC.  |
|         | 2    | INC. |          | Item No. 17,18,20,21                    |     |      |
| 020     |      |      | 241667-7 | FAN 52                                  | 1   | PC.  |
| 021     | 2    |      | 211489-9 | BALL BEARING 6002LLUX                   | 1   | PC.  |
| 022     |      |      | 267785-3 | WAVE WASHER 23                          | 1   | PC.  |
| 023     |      |      | 266351-3 | TAPPING SCREW 4X35                      | 4   | PC.  |
| 024     |      |      | 154668-5 | MOTOR HOUSING COMPLETE                  | 1   | PC.  |
|         |      | INC. | 816817-9 | SCALE LABEL                             | 1   | PC.  |
| 026     |      |      | 763661-4 | COLLET NUT 6                            | 1   | PC.  |
| 027     |      |      | 265771-8 | THUMB SCREW M5X33                       | 1   | PC.  |
| 028     |      |      | 226217-9 | SPUR GEAR 16                            | 1   | PC.  |
| 029A    |      |      | 265142-9 | + PAN HEAD SCREW M4X10 (F/3709)         | 4   | PC.  |
| 029B    |      |      | 912112-6 | COUNTERSUNK HEAD SCREW M4X10 (F/ 3709X) | 4   | PC.  |
| 030     |      |      | 419138-4 | BASE                                    | 1   | PC.  |
| 033     |      |      | 265763-7 | THUMB SCREW M6X25                       | 1   | PC.  |
| 034     |      |      | 941151-9 | FLAT WASHER 6                           | 1   | PC.  |
| 035     |      |      | 941101-4 | FLAT WASHER 5                           | 1   | PC.  |
| 036     |      |      | 252652-5 | THUMB NUT M5                            | 1   | PC.  |
| 042A    |      |      | 410585-2 | BASE PROTECTOR, CLEAR (FOR 3709)        | 1   | PC.  |
| 042B    |      |      | 411114-4 | BASE PROTECTOR, BLACK (FOR 3709X)       | 1   | PC.  |
| 100     |      |      | 652040-0 | + PAN HEAD SCREW M3.5X6                 | 2   | PC.  |
| 101     |      |      | 654037-5 | INSULATED EYE TERMINAL FT1.25-M3        | 2   | PC.  |

| Item No   | Type | Ref  | Part No  | Description  | Qty | Unit |
|---|------|------|----------|--|-----|------|
| <b>ACCESSORIES</b>  |      |      |          |  |     |      |
| - See catalogue or visit <a href="http://www.makita.ca">www.makita.ca</a> for more optional accessories - |      |      |          |  |     |      |
| A01   | 1    |      | 122389-7 | TRIMMER GUDE ASS'Y (TYPE1)                           | 1   | PC.  |
|   |      | INC. | 312650-2 | TRIMMER GUIDE (INCLUDES No.C10 - C90)                | 1   | PC.  |
|   |      | C10  | 251819-2 | SCREW M6   | 1   | PC.  |
|   |      | C20  | 912116-8 | COOUNTERSUNK HEAD SCREW M4X12                        | 1   | PC.  |
|   |      | C30  | 341136-9 | HOOK   | 1   | PC.  |
|   |      | C50  | 323495-3 | ROLLER 11  | 1   | PC.  |
|   |      | C60  | 312396-0 | GUIDE HOLDER   | 1   | PC.  |
|   |      | C70  | 941151-9 | FLAT WASHER 6  | 1   | PC.  |
|   |      | C80  | 253903-9 | WAVE WASHER 6  | 1   | PC.  |
|   |      | C90  | 251815-0 | SCREW M6X25  | 1   | PC.  |
| A01   | 2    |      | 122703-7 | TRIMMER GUIDE ASS'Y (TYPE2)                          | 1   | PC.  |
|   |      | INC. | 317789-6 | TRIMMER GUIDE (INCLUDES No.C10 - C80)                |     |      |
|   |      | C10  | 251471-6 | - FLAT HEAD SCREW M5                                 | 1   | PC.  |
|   |      | C20  | 265135-6 | + COUNTERSUNK HEAD SCREW M4X10                       | 1   | PC.  |
|   |      | C30  | 265763-7 | THUMB SCREW M6X25                                    | 1   | PC.  |
|   |      | C40  | 265764-5 | THUMB SCREW M6                                       | 1   | PC.  |
|   |      | C50  | 317788-8 | GUIDE HOLDER   | 1   | PC.  |
|   |      | C60  | 324378-0 | ROLLER 11  | 1   | PC.  |
|   |      | C70  | 341136-9 | HOOK (TYPE2)   | 1   | PC.  |
|   |      | C80  | 941151-9 | FLAT WASHER 6  | 1   | PC.  |
| A02   |      |      | 122704-5 | STRAIGHT GUIDE ASS'Y                                 | 1   | PC.  |
|   |      | INC. | 252649-4 | THUMB NUT M6   | 1   | PC.  |
|   |      | INC. | 266339-3 | CAP SQUARE NECK BOLT M6X20                           | 1   | PC.  |
|   | 2    | INC. | 343593-7 | GUIDE PLATE (TYPE2)                                  | 1   | PC.  |
| A03   | 2    |      | 343577-5 | TEMPLET GUIDE 10                                     | 1   | PC.  |
| A04   |      |      | 781036-5 | WRENCH 10  | 1   | PC.  |
| A05   |      |      | 781037-3 | WRENCH 17  | 1   | PC.  |
| A06   |      |      | 418647-0 | CHIP DEFLECTOR                                       | 1   | PC.  |
| A07   |      |      | 733238-9 | STRAIGHT BIT 6E                                      | 1   | PC.  |
| A08   |      |      | 823293-0 | ALUMINUM CARRYING CASE                               | 1   | PC.  |
| A09   |      |      | 194267-1 | TRIMMER BASE ASSY                                    | 1   | PC.  |
|   |      | INC. |          | Item No. 27-30, 33-36, 42                            |     |      |
| A10   |      |      | 783208-8 | HEX.WRENCH 2.5                                       | 1   | PC.  |
| A11   |      |      | 421345-7 | JOINT  | 1   | PC.  |
| A12   |      |      | 155263-4 | TRIMMER SHOE   | 1   | PC.  |
| A13   |      |      | 763663-0 | COLLET CONE 6.35                                     | 1   | PC.  |
| A14   |      |      | 122753-2 | TILT TRIMMER BASE ASSY (See Partsbreakdown 122753-2) | 1   | PC.  |