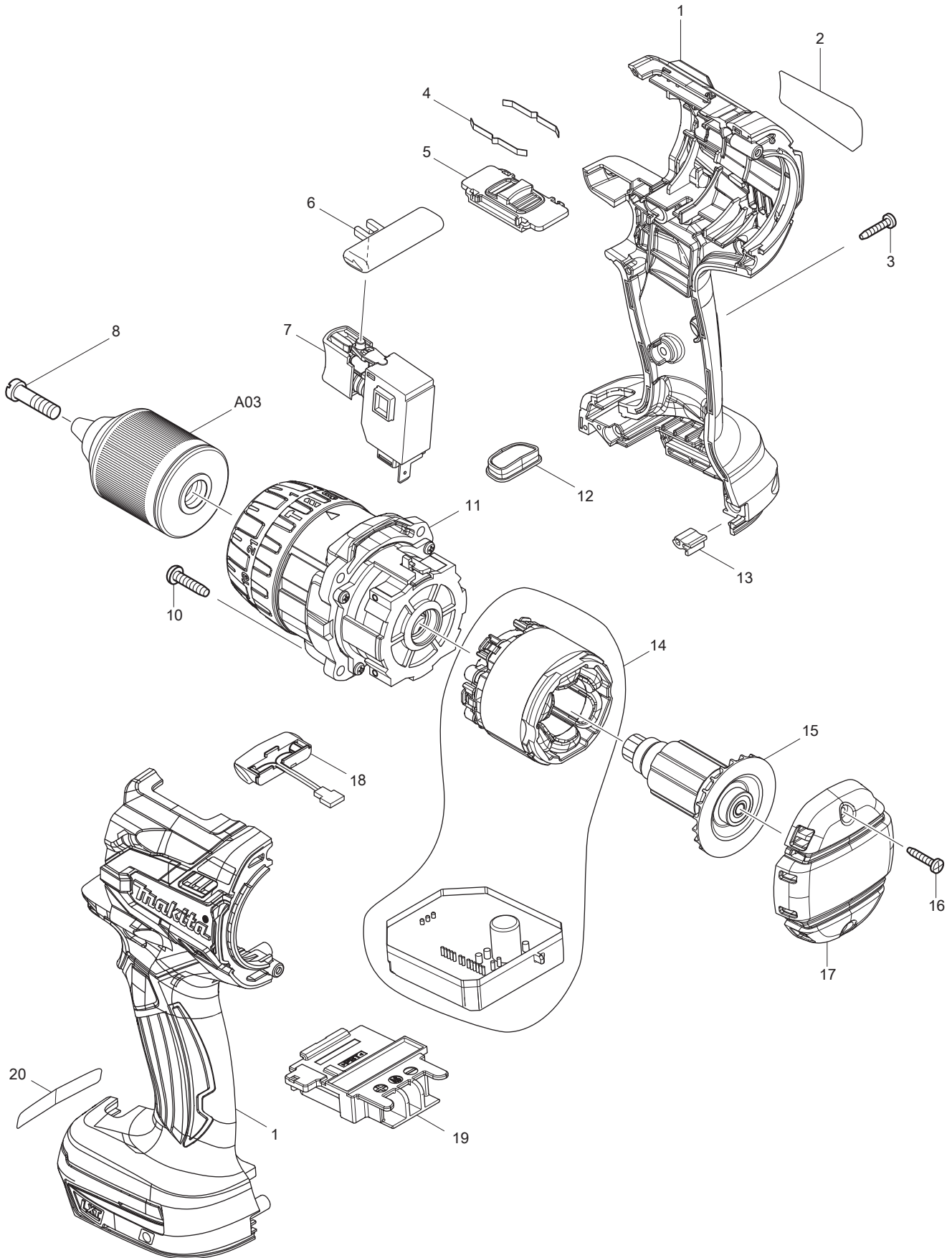




03 - 2014
DHP481RME, DHP481RTE, DHP481Z
18V BRUSHLESS HAMMER DRIVER DRILL



Item No	Type	Sub	Part No	Description	Qty	Unit
1			187921-4	HOUSING SET	1	SET
		INC.	263005-3	RUBBER PIN 6	2	PC.
1B			183G74-9	HOUSING SET BLACK	1	SET
		INC.	263005-3	RUBBER PIN 6	2	PC.
2			815S71-6	NAME PLATE F/DHP481	1	PC.
3			266130-9	TAPPING SCREW BIND PT 3X16	7	PC.
4			232220-0	LEAF SPRING	2	PC.
5			126411-2	SPEED CHANGE LEVER ASSEMBLY	1	PC.
		INC.	233438-6	COMPRESSION SPRING 4	2	PC.
6			419250-0	F/R CHANGE LEVER	1	PC.
7			650710-5	SWITCH C3JW-4B	1	PC.
8			251468-5	- FLAT HEAD SCREW M6X22	1	PC.
10			265995-6	TAPPING SCREW 4X18	4	PC.
11			126410-4	GEAR ASSEMBLY	1	PC.
12			142263-3	INDICATOR PANEL COMPLETE	1	PC.
13			424517-3	CUSHION	1	PC.
14			629116-8	STATOR COMPLETE	1	PC.
15	1		619336-2	ROTOR	1	PC.
	2		619397-2	ROTOR	1	PC.
16			266130-9	TAPPING SCREW BIND PT 3X16	2	PC.
17			455011-4	REAR COVER	1	PC.
17B			455638-0	REAR COVER BLACK	1	PC.
18			620283-2	LED CIRCUIT	1	PC.
19			643899-6	TERMINAL	1	PC.
20			804A84-4	CAUTION LABEL	1	PC.
100			251314-2	(+) SCREW M4X12 F/HOOK	2	PC.

ACCESSORIES

- See Catalogue or visit www.makita.ca for more accessories -

A01			122576-8	STOPPER POLE ASS'Y	1	PC.
A02			126413-8	GRIP ASSEMBLY	1	PC.
		INC.	142652-2	POLE COMPLETE	1	PC.
		INC.	142653-0	ARM R COMPLETE	1	PC.
		INC.	265785-7	THUMB SCREW M5X10	1	PC.
		INC.	266886-4	HEX. BOLT M8X65	1	PC.
		INC.	319129-4	ARM L	1	PC.
		INC.	931202-6	HEX. NUT M5	1	PC.
		INC.	962055-2	RETAINING RING (INT) R-15	1	PC.
A03	1		766015-4	1/2" KEYLESS DRILL CHUCK	1	PC.
	2		763248-2	1/2" KEYLESS DRILL CHUCK	1	PC.
A04			346449-3	HOOK	1	PC.
A05			452947-8	BIT HOLDER	1	PC.
A06			784637-8	(+/-) BIT 2-45	2	PC.
			---	DRIVER BITS		
A07			821524-1	PLASTIC CARRYING CASE	1	PC.
		INC.	162302-3	LATCH	2	PC.
		INC.	325809-2	SHAFT	1	PC.
		INC.	451749-9	HANDLE	1	PC.
		INC.	453473-0	PLASTIC CASE LID	1	PC.
A08			---	BATTERY CHARGER		
A09			---	18V LI-ION BATTERY		
A10			---	LI-ION BATTERY ACCESSORIES		